

WATERCO FIBERGLASS FILTERS / FILTRES WATERCO A FIBRES DE VERRE / FILTROS DE FIBRA DE VIDRIO WATERCO

Installation and Operation Manual Guide d'installation et d'utilisation Manual de instalación y funcionamiento



⚠ WARNING

This equipment must be installed and serviced by a qualified technician. Improper installation may result in property damage, serious injury or death. Improper installation and/or operation will void the warranty.

⚠ AVERTISSEMENT :

L'installation et l'entretien de cet équipement doivent être confiés à un technicien qualifié. Une installation incorrecte risque de provoquer des dégâts, des blessures graves, voire même la mort. Une installation et (ou) utilisation incorrecte(s) va (vont) rendre la garantie nulle et non avenue.

⚠ ADVERTENCIA

El equipo lo debe instalar y mantener un técnico formado. Una instalación incorrecta puede originar riesgos de tipo eléctrico que pueden causar daños materiales, lesiones graves o la muerte. Una instalación incorrecta invalidará la garantía.



Notice to installer

This manual contains important information about the installation, operation and safe use of this product. Once the product has been installed **this manual must be given to the owner/operator of this equipment.**

Consignes destinées à l'installateur

Ce manuel contient des informations importantes concernant l'installation, l'exploitation et l'utilisation en toute sécurité de ce produit. Une fois ce produit installé, **il faut remettre ce manuel au propriétaire / exploitant de cet équipement.**

Nota para el instalador

Este manual contiene información importante sobre la instalación, el funcionamiento y el uso seguro de este producto. Una vez se haya instalado el producto, **este manual debe entregarse al propietario/operador del equipo**

Table of Contents

SAFETY INFORMATION	02
WATERCO FIBERGLASS FILTERS	05
INSTALLATION	06
MULTIPORT (4 & 6 Way) VALVE OPERATION	09
INITIAL STARTUP OF FILTER.....	10
BACKWASHING.....	10
MAINTENANCE	12
WINTERIZING	12
TROUBLESHOOTING.....	13
WARRANTY	13

SAFETY INFORMATION

1. Waterco fiberglass filters are designed to work with water at a temperature > than 0°C and < than 40°C. The filter should never be operated outside of these temperatures or damage may occur.
2. The installation should be carried out in accordance to local safety standards and bylaws.
3. Any modification of the filter requires the prior consent from Waterco. Original replacement parts and accessories authorized by the manufacturer ensure a high level of safety. Waterco assumes no liability for the damage and injuries caused by unauthorized replacement parts and accessories.
4. The user should make sure that the installation is carried out by qualified authorized persons and that these persons have first carefully read the following instructions.
5. The operating safety of the filter is only guaranteed if the installation and operation instructions are correctly followed.
6. In the event of defective operation or fault, contact Waterco or its nearest authorized service agent.
7. To reduce the risk of injury, do not permit children to use this product.
8. Incorrectly installed equipment may fail, causing severe injury or property damage.
9. Chemical spills and fumes can weaken Swimming Pool / Spa equipment. Corrosion can cause filters and other equipment to fail, resulting in severe injury or property damage. Do not store pool chemicals near your equipment.

Basic safety precautions should always be followed, including the following: Failure to follow instructions can cause severe injury and/or death.

This is the safety-alert symbol. When you see this symbol on your equipment or in this manual, look for one of the following signal words and be alert to the potential for personal injury.



! **WARNING** warns about hazards that **could** cause serious personal injury, death or major property damage and if ignored presents a potential hazard.

! **CAUTION** warns about hazards that **will** or **can** cause minor or moderate personal injury and/or property damage and if ignored presents a potential hazard. It can also make consumers aware of actions that are unpredictable and unsafe.

The **NOTICE** label indicates special instructions that are important but not related to hazards.

! **WARNING - Read and follow all instructions in this owner's manual and on the equipment. Failure to follow instructions can severe injury and/or death.**

! **Warning - Suction Entrepment Hazard.**

Suction in suction outlets and/or suction outlet covers which are, damaged, broken, cracked, missing, or unsecured can cause severe injury and/or death due to the following entrapment hazards:



Hair Entrapment - Hair can become entangled in suction outlet cover.



Limb Entrapment - A limb inserted into an opening of a suction outlet sump or suction outlet cover that is damaged, broken, cracked, missing, or not securely attached can result in a mechanical bind or swelling of the limb.



Body Suction Entrapment - A negative pressure applied to a large portion of the body or limbs can result in and entrapment.



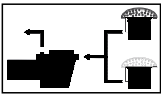
Evisceration / Disembowelment - A negative pressure applied directly to the intestines through an unprotected suction outlet sump or suction outlet cover which is, damaged, broken, cracked, missing, or unsecured can result in evisceration/ disembowelment.

Mechanical Entrapment - There is potential for jewelry, swimsuit, hair decoration, finger, toe or knuckle to be caught in an opening of a suction outlet cover resulting in mechanical entrapment.



WARNING - To reduce the risk of Entrapment Hazards:

- When outlets are small enough to be blocked by a person, a minimum of two functioning suction outlets per pump must be installed. Suction outlets in the same plane (i.e. floor or wall), must be installed a minimum of three feet (3') (1 meter) apart, as measured from near point to near point.
- Dual suction fittings shall be placed in such locations and distances to avoid "dual blockage" by a user.
- Dual suction fittings shall not be located on seating areas or on the backrest for such seating areas.
- The maximum system operating pressure shall not exceed , refer Page 8 Condition of backwash, point 3.
- Never use Pool or Spa if any suction outlet component is damaged, broken, cracked, missing, or not securely attached.
- Replace damaged, broken, cracked, missing, or not securely attached suction outlet components immediately.
- In addition two or more suction outlets per pump installed in accordance with latest ASME, APSP Standards and CPSC guidelines, follow all National, State, and Local codes applicable.
- Installation of a vacuum release or vent system, which relieves entrapping suction, is recommended.



WARNING - Failure to remove pressure test plugs and /or plugs used in winterization of pool/spa from the suction outlets can result in an increase potential for suction entrapment as describe above.



WARNING - Failure to keep suction outlet components clear of debris, such as leaves, dirt, hair, paper and other material can result in an increase potential for such suction entrapment as describe above.



WARNING - Suction outlet components have a finite life, the cover/grate should be inspected frequently and replaced at least every SEVEN years or if found to be damaged, broken, cracked, missing, or not securely attached.



CAUTION - Components such as the filtration system, pumps and heater must be positioned so as to prevent their being used as means of access to the pool by young children. To reduce risk of injury, do not permit children to use or climb on this product. Closely supervise children at all times. Components such as the filtration system, pumps, and heaters must be positioned to prevent children from using them as a means of access to the pool.



⚠ WARNING - Hazardous Pressure. Pool and spa water circulation systems operate under hazardous pressure during start up, normal operation, and after pump shut off. Stand clear of circulation system equipment during pump start up. Failure to follow safety and operation instructions could result in violent separation of the pump housing and cover, and/or filter housing and clamp due to pressure in the system, which could cause property damage, severe personal injury, or death. Before servicing pool and spa water circulation system, all system and pump controls must be in off position and filter manual air relief valve must be in open position. Before starting system pump, all system valves must be set in a position to allow system water to return back to the pool. Do not change filter control valve position while system pump is running. Before starting system pump, fully open filter manual air relief valve. Do not close filter manual air relief valve until a steady stream of water (not air or air and water) is discharged.

⚠ WARNING - Separation Hazardous. Failure to follow safety and operation instructions could result in violent separation of pump and/or filter components. Strainer cover must be properly secured to pump housing with strainer cover lock ring. Before servicing pool and spa circulation system, filters manual air relief valve must be in open position. Do not operate pool and spa circulation system if a system component is not assembled properly, damaged, or missing. Do not operate pool and spa circulation system unless filter manual air relief valve body is in locked position in filter upper body. **Never operate or test the circulation system at more than 50 PSI. Do not purge the system with compressed air.** Purging the system with compressed air can cause components to explode, with risk of severe injury or death to anyone nearby. Use only a low pressure (below 5 PSI), high volume blower when air purging the pump, filter, or piping.



⚠ WARNING - Risk of Electric Shock. All electrical wiring MUST be in conformance with applicable local codes, regulations, and the National Electric Code (NEC). Hazardous voltage can shock, burn, and cause death or serious property damage. To reduce the risk of electric shock, do NOT use an extension cord to connect unit electric supply. Provide a properly located electrical receptacle. Before working on any electrical equipment, turn off power supply to the equipment. To reduce the risk of electric shock replace damaged wiring immediately. Locate conduit to prevent abuse from lawn mowers, hedge trimmers and other equipment. Do NOT ground to a gas supply line.

⚠ WARNING - Risk of Electric Shock. Failure to ground all electrical equipment can cause serious or fatal electrical shock hazard. Electrical ground all electrical equipment before connecting to electrical power supply.

⚠ WARNING - Risk of Electric Shock. Failure to bond all electrical equipment to pool structure will increase risk for electrocution and could result in injury or death. To reduce the risk of electric shock, see installation instructions and consult a professional electrician on how to bond all electrical equipment. Also, contact a licensed electrician for information on local electrical codes for bonding requirements.

Notes to electrician: Use a solid copper conductor, size 8 or larger. Run a continuous wire from external bonding lug to reinforcing rod or mesh. Connect a No. 8 AWG (8.4mm²) [No. 6 AWG (13.3mm²) for Canada] solid copper bonding wire to the pressure wire connector provide on the electrical equipment and to all metal parts of swimming pool, spa, or hot tub, and metal piping (except gas piping), and conduit within 5 ft (1.5m) of inside walls of swimming pool, spa or hot tub.

IMPORTANT - Reference NEC codes for all wiring standards including but not limited to, grounding, bonding and other general wiring procedures.



⚠ WARNING - Risk of Electric Shock. The electrical equipment must be connected only to supply circuit that is protected by a ground-fault circuit-interrupter (GFCI). Such a GFCI should be provided by the installer and should be tested on a routine basis. To test the GFCI, push the test button. The GFCI should interrupt power. Push reset button. Power should be restored. If the GFCI fails to operate in this manner, the GFCI is defective. If the GFCI interrupts power to the electrical equipment without the test button being pushed, a ground current is flowing, indicating the possibility of an electrical shock. Do not use this electrical equipment. Disconnect the electrical equipment and have the problem corrected by a qualified service representative before using.

⚠ CAUTION - Waterco pumps are intended for use with permanently-installed pools and may be used with hot tubs and spas if so marked. Do not use with storable pools. A permanently-installed pool is constructed in or on the ground or in a building such that it cannot be readily disassembled for storage. A storable pool is constructed so that it is capable of being readily disassembled for storage and reassembled to its original integrity.

⚠ WARNING - Risk of Hyperthermia. To avoid hyperthermia the following "Safety Rules for Hot Tubs" are recommended by the U.S. Consumer Product Safety Commission.

1. Spa or hot tub water temperatures should never exceed 104°F (38°C) is considered safe for a healthy adult. Special caution is suggested for young children. Prolonged immersion in hot water can induce hyperthermia.
2. Drinking of alcoholic beverages before or during spa or hot tub use can cause drowsiness, which could lead to unconsciousness and subsequently result in drowning.
3. Pregnant women beware! Soaking in water above 100°F (38°C) can cause fetal damage during the first three months of pregnancy (resulting in the birth of brain-damaged or deformed child). Pregnant women should adhere to the 100°F (38°C) maximum rule.
4. Before entering the spa or hot tub, users should check the water temperature with an accurate thermometer; spa or hot tub thermostats may err in regulating water temperatures by as much as 4°F (2.2°C).
5. Persons taking medications, which include drowsiness, such as tranquilizers, antihistamines or anticoagulants, should not use spas or hot tubs.
6. If the pool/spa is used for therapy, it should be done with the advice of physician. Always stir pool/spa water before entering the pool/spa to mix in any hot surface layer of water that might exceed healthful temperature limits and cause injury. Do not tamper with controls, because scalding can result if safety controls are not in proper working order.
7. Persons with medical history of heart disease, circulatory problems, diabetes or blood pressure problems should obtain a physician's advice before using spas or hot tubs.
8. Hyperthermia occurs when the internal temperature of the body reaches a level several degrees above normal body temperature of 98.6°F (37°C). The symptoms of hyperthermia include: drowsiness, lethargy, dizziness, fainting, and an increase in the internal temperature of the body.

The effects of Hyperthermia include:

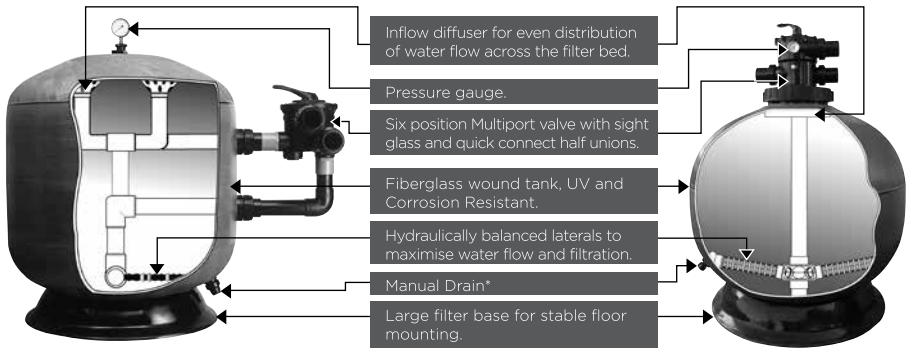
1. Unawareness of impending danger
2. Failure to perceive heat.
3. Failure to recognize the need to leave the spa.
4. Physical inability to exit the spa.
5. Fetal damage in pregnant women.
6. Unconsciousness resulting in danger of drowning

SAVE THESE INSTRUCTIONS

WATERCO FIBERGLASS FILTERS

Waterco fiberglass filters embody the latest in fiberglass winding technology. Waterco fiberglass vessels consist of an inner shell of fiberglass reinforced polyester resin wound over with fiberglass filament. Waterco's digitally controlled filament winding machine faultlessly winds continuous strands of high quality fiberglass filament under controlled tension filament to create a seamless one-piece vessel with refined consistency and superior quality.

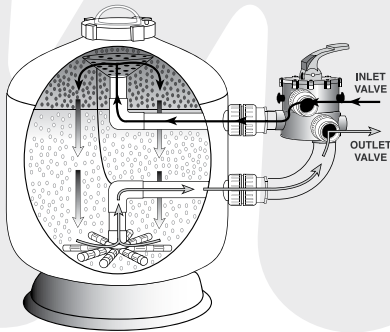
There are no welds or seams or special tank linings which can corrode or electrolyse.



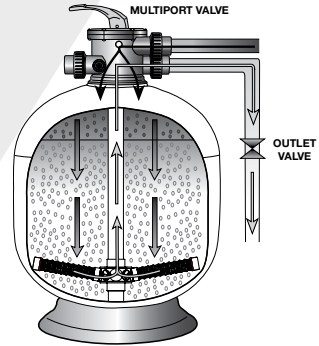
Waterco Sidemount fiberglass filters

Waterco Top Mount fiberglass filters

* Optional manual drain



Waterco Sidemount fiberglass filters



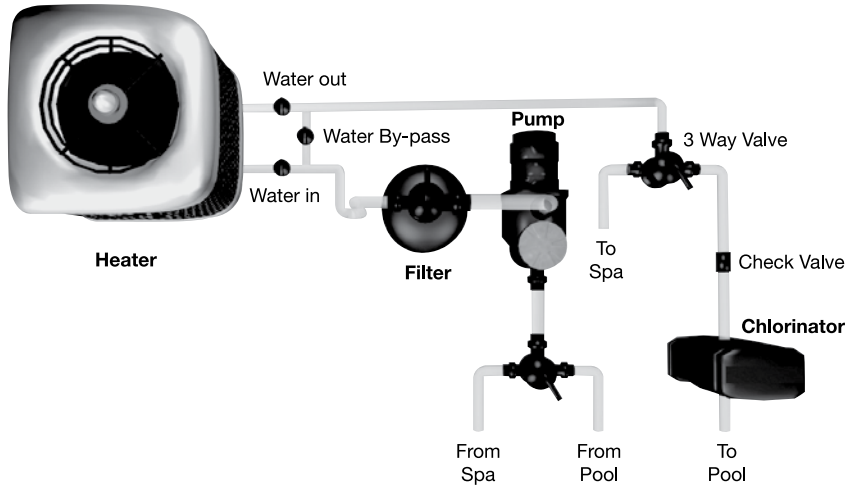
Waterco Top Mount fiberglass filters

Filtration

Waterco Fiberglass filters operate on the basis of “depth filtration”; dirt is driven through the filter bed and trapped in minute spaces between the particles of filter media allowing filtered water to pass through the filter’s laterals and exit via the filter’s Multiport valve.

INSTALLATION

1. Position the filter as close to the Swimming Pool / Spa as possible.
2. Position the filter so that it is free from flooding, away from sumps, guttering, garden hollows, etc.
3. Position the filter so that the piping connections, Multiport Valve and winter drain is convenient and accessible for operation, servicing and winterizing.
4. Ensure that the compliance label is facing the front to allow easy identification.
5. The filter should be placed on a level concrete slab, very firm ground, or equivalent. Ensure that the ground will not subside, preventing any strain from the attached plumbing.
6. Ensure that there is no movement of the filter during operation of the Multiport Valve.
7. Allow sufficient clearance around the filter to permit visual inspection of the entire system.



Filling the Filter Media

1. Before filling the filter media into the filter vessel, do a visual check of the laterals. Look for broken or loose laterals. Replace if necessary.
2. To eliminate stress on the laterals, fill the filter vessel half full of water to provide a cushioning effect when the filter media is poured in.
3. **(a) Top Mount Fiberglass Filters** - Top Mount Fiberglass Filters are supplied with a perforated plastic locator, which centers the stem and prevents media from entering the stem pipe. Place the perforated plastic locator on the center stem of the filter and carefully pour in the filter media via the perforated holes of the plastic locator. Remove the plastic locator once completed.

NOTE: If a template is not provided or is lost you must center the stem and cover the stem opening to prevent non-alignment and media entering the stem pipe.

(b) Side Mount Fiberglass Filters (SM600) - Remove the top diffuser from the internal diffuser pipe and place the flexible air relief tube to the side, out of the way, inside the filter vessel. Cap the internal diffuser pipe with the filter media shield provided to prevent filter media from entering it. **DO NOT MOVE DIFFUSER PIPE** as this can affect the integrity of the bulkhead seal.

NOTE: The above instructions do not apply to Sidemount Fiberglass Filters larger than SM600 filters. Any filter media entering the diffusers will be removed during normal operation.

4. Wash all the filter media and debris away from the threads and sealing surfaces of the filter vessel.
5. Lubricate the o-ring or gasket (bolt down type) MPV and thread to the filter. Lubricant should be silicon based and not petrochemical based.
6. Thread the Multiport Valve or Top Cap onto the filter tank and hand tighten.

Plumbing

1. Check that the incoming water pressure is within the filter's recommended working pressure and ensure that a pressure limiting valve is installed if using mains water or a high pressure pump.
2. Ensure that a foot valve / non return valve is installed if the pump is installed 500mm / 20" above the water level.
3. If the filter is installed below the water level or connected to mains water, isolation valves should be installed at the inlet and outlet of the filter. This will prevent water flow during any routine maintenance.
4. Minimize the length of pipe and the number of fittings to minimize restrictions to water flow.
5. Connect all plumbing to the Multiport Valve taking care that all plumbing connections are glued and tightened securely to prevent leaking.
6. Ensure solvents are not excessively applied to fittings as this could run into o'rings and create sealing problems.
7. Do not over tighten fittings or adapters.

Installation of the Multiport Valve

Top Mount Fiberglass Filters are supplied with either a Top Mount screw down Multiport Valve or clamp down Multiport Valve.

Side Mount Fiberglass Filters are supplied with the option of a Side Mount Multiport Valve with a plumbing kit designed to be connected to the side ports of the filter.

Each Multiport Valve is supplied three threaded barrel unions.

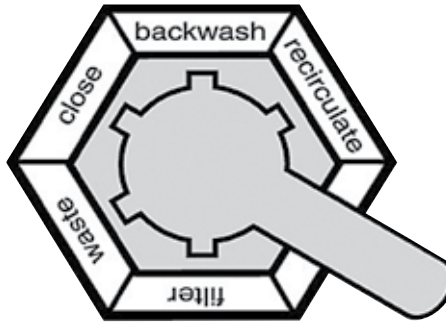
1. Check that the top of the filter is free from any filter media or debris and if there is a valve o'ring, please check that the valve o'ring is in place.
2. Check the label of each valve port and position the valve accordingly. Pump port must be plumbed to the pump discharge, waste port must be plumbed to the waste line and the return port must be plumbed to the return line
3. **Top Mount Screw Down Multiport Valve** - Rotate the Multiport Valve into the filter vessel's threaded connection.

Top Mount Clamp Down Multiport Valve - Align the valve with the top of the tank flange. Place the clamp half over the valve flange and the tank flange. Insert the clamp screws and nuts in the clamp, making sure that the nuts are located in the retainer slots on the clamps. Tighten the clamp screws firmly and check that the valve and clamp are correctly assembled.

Side Mount Multiport Valve - Align the Multiport Valve's plumbing kit with the filter's threaded connection ports. Screw the plumbing kit's barrel unions onto the filter connection ports and hand tighten. Do not over tighten the barrel unions as this can lead to damage and void warranty.

4. Screw the Multiport Valve barrel unions onto the threaded connection ports of Multiport Valve and hand tighten. The barrel union should be firmly threaded into the Multiport Valve and there should be no play between the thread. Do not over tighten the barrel unions as this can lead to damage and void warranty.
5. Glue the PVC pipe to the barrel unions and Allow 24 hours for glue (solvent) to set before starting the filter.
6. Test the filter and check for leaks around the threads.

MULTIPOINT (4 & 6 Way) VALVE OPERATION



1. Filter - Position for filtration.

Incoming water from the piping system is automatically directed by the Multiport Valve to the top of the filter bed. As the water is pumped through the filter bed, dirt and debris are trapped by the filter bed. The filtered water is returned from the bottom of the filter vessel, through the Multiport Valve and back through the piping system.

2. Backwash - Position for cleaning the filter media.

Water flow is reversed by the Multiport Valve through the filter bed so that water flow is directed to the bottom of the filter vessel and up through the filter bed, flushing the previously trapped dirt and debris out the waste line.

3. Rinse - Position for flushing the filter system.

The water flow is directed by the Multiport Valve through the filter bed and out. This process settles the filter media bed into place and ensures any dirt or debris is rinsed out of the filter, preventing dirt or debris returning to the Swimming Pool / Spa.

NOTE: This position is not available on 4-Way Multiport Valves.

4. Waste - Position for bypassing the filter bed to waste.

The water flow is directed by the Multiport Valve straight to the backwash outlet, bypassing the entire filter bed. This Multiport Valve position is used lower the water level or for vacuuming water with high dirt loads.

5. Re-circulate - Position for bypassing the filter bed to the Swimming Pool / Spa.

The Multiport valve recirculates water flow directly back to the Swimming Pool / Spa, bypassing the filter.

6. Closed - Position for closing all flow to the filter.

The Multiport Valve can be closed to enable servicing of pump without draining the water from the filter. This position is not to be used with the pump operating.

NOTE: This position is not available on 4-Way Multiport Valves.

⚠ CAUTION

Operation of the Multiport Valve or mode selection is to be always done with the pump switched off.

INITIAL STARTUP OF FILTER

Be sure correct amount of filter media is in the filter vessel and that all connections are hand tightened.

1. Depress Multiport Valve handle and rotate to the BACKWASH position and open the air release valve on the filter or Multiport Valve.

NOTE: To prevent damage to control valve seal, always depress handle before turning.

2. Switch on the Pump / Open the Inlet Valve allowing the filter vessel to fill with water.

NOTE: If a pump is installed, switch the pump on and off, instead of closing and opening the Inlet Valve.

3. Once a steady flow of water is running through the waste line, close the air release valve and let the pump run until the waste water is clear. The initial backwashing of the filter is recommended to remove any impurities or fine particles from the filter media until the sight glass is clear. This process may take up to 3 minutes.

4. Turn the pump off, Multiport Valve to the RINSE position. Switch on the Pump / Open the Inlet Valve until water in sight glass is clear — approximately 10 to 15 seconds .

5. Switch off the Pump / Close the Inlet Valve, set the Multiport Valve to the FILTER position and Switch on the Pump / Open the Inlet. The filter is now operating in its normal filter mode.

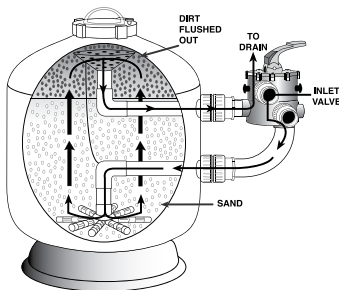
6. Adjust pool suction and return valves to achieve desired flow. Check the plumbing and filter for water leaks and tighten connections, bolts, and nuts, as required.

7. Record the pressure gauge reading (start up pressure) during initial operation. After a period of time, the accumulated dirt and debris in the filter causes a resistance to flow, and the flow diminishes. The pressure will start to rise and the flow of water will start diminishing. When the pressure gauge reading is 50 kPa (7.2 psi) higher than the initial "Start up" pressure, it is time to backwash (clean) the filter (see Backwashing).

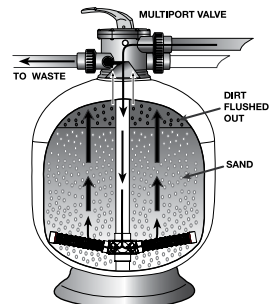
NOTE: If the filter is connected to mains water, it is not necessary to record the "Start up" pressure, as mains pressure tends to fluctuate.

BACKWASHING

The function of backwashing is to separate the deposited particles from the filter media grains and flush them from the filter bed. Backwashing is achieved by reversing the flow of water through the filter bed at a fairly high flow rate. This high flow rate expands the filter bed and the water flow carries the debris out to waste.



Waterco Sidemount Fiberglass Filters



Waterco Top Mount Fiberglass Filters

Conditions for Backwashing :-

Time for backwashing is determined by the following conditions:

1. The flow rate through the filter bed decreases until it is insufficient to meet the demand.
2. The removal efficiency of the filter bed decreases to the point where filter water quality deteriorates or results in dirt or debris returning to the pool.
3. When the pressure gauge reading is 50 kPa (7.2 psi) higher than the start up pressure.
4. If the filter is connected to mains water, pressure rise is not an accurate indicator as mains pressure tends to fluctuate. It is best to rely on the actual flow rate.

Importance of Backwashing

The importance of backwashing cannot be overstated. Dense filter media can become “packed” without proper and frequent enough backwashing. Debris will remain trapped and create channeling within the filter bed. This will result in the filter bed exhausting early. Moreover, if debris is not flushed from the media grains, the filter bed will become dirtier and dirtier as time goes on until the filter operation fails.

Backwashing Instructions :-

1. Switch off the Pump / Close the Inlet Valve.
2. Release the filter's pressure by loosening Pressure Release Valve until the Pressure Gauge needle drops to zero 0 PSI.
3. Retighten Pressure Release Valve.
4. Depress and turn Handle 180° to the BACKWASH position.
In the BACKWASH position, the water flow is automatically reversed through the filter so that it is directed to the bottom of the filter vessel, up through the filter bed, flushing the previously trapped dirt and debris out the waste line.
5. Switch on the Pump / Open the Inlet Valve. Backwash water will flow out through filter bed drain pipe.
6. When the backwash water in the sight glass appears clear, Switch off the Pump / Close the Inlet Valve.
7. Depress and turn the handle to the RINSE position.
In the RINSE position water flow is directed through the filter bed as normal filter mode but out through the waste outlet. This process settles the filter media bed into place and ensures any dirt or debris is rinsed out of the filter, preventing possible return to the pool.
8. Switch on the Pump / Open the Inlet Valve. Rinse water will flow out through the drain pipe.
9. When the rinse water in the sight glass appears clear. Switch off the Pump / Close the Inlet Valve.
10. Depress and turn the handle to the Filter position and Switch on the Pump / Open the Inlet Valve for normal operation.

MAINTENANCE

The filter media will only require replacement once it has reached the limits of its designated life. Refer to the product information of the particular filter media used.

To ensure the maximum life of the selected filter media, please follow the procedures below:

1. Backwash the filter regularly according to the instructions set under "Backwashing".
2. Refer to the specifications of the filter media used and implement regeneration procedures accordingly.
3. Maintain a correct chemical balance of your pool / spa water. The chemical balance of water is a relationship between its pH, total alkalinity, calcium hardness and water temperature. The water must be maintained at all times to the following:

PH LEVEL	: BETWEEN 7.2 & 7.8.
TOTAL ALKALINITY	: BETWEEN 80 & 150ppm.
CALCIUM HARDNESS	: BETWEEN 150 & 300ppm.

And within these tolerances be balanced to the Langelier Saturation Index within a range of -0.2 to +0.2.

NOTE: Testing kits are available to test the water yourself or alternately bring a sample of the water to a professional pool and spa shop.

4. Mains water and rural water supplies need to be monitored. Saturation (life) in mains water or bore (rural) will vary depending on water quality.
5. To prevent damage to the pump and filter and for proper operation of the system, clean pump strainer and skimmer baskets regularly.
6. Replace the pressure gauge if faulty readings are observed.

WINTERIZING

Proper winterizing procedures should always be taken in order to protect your filter in cold climates [temperatures below freezing point]

1. Switch off the Pump / Close the Inlet Valve,
2. Open the air release valve and move the MPV handle to the winterise position [between Filter and Waste] This will allow air to through to all ports.
3. Remove any drain plugs from the filter.
4. Drain water from the pipework.

TROUBLESHOOTING GUIDE

Above normal or excessive force to operate the Multiport Valve	<p>Scoring or jamming with foreign matter or debris. If this condition persists after rinsing, disassemble the valve to clear dirt and debris. Continued operation of the valve may result in a non-sealing condition (damage to spider gasket). This will lead to water loss to the backwash line or to inefficient filtration.</p> <p>Note: A filter sock is recommended during pool vacuuming, to prevent dirt and debris lodging between the spider gasket and MPV body.</p>
Water is not clear	<ol style="list-style-type: none"> 1. Insufficient filtration time. 2. Heavy bathing or dirt load. Pool must be flocculated and vacuumed directly to waste. 3. Filter is dirty, requiring a thorough backwash. 4. Air leaking on suction (influent line). 5. Pump impeller vanes blocked. 6. In sufficient water supply (water level low, blockage). 7. Pump not primed. 8. In correct water chemistry. 9. Excessive flow of water for filter size. Foreign matter or debris forced through filter bed and through the under drain. 10. Other restrictions including (pool suction cleaners) resistance from other inline equipment such as strainers. Operating the filter on recirculate will determine if the restriction is in the filter. 11. Clogged or channeled filter media. Perform thorough backwash or regeneration.
Filter media flushed out to waste during backwash	<ol style="list-style-type: none"> 1. Excessive quantity of media in the filter. 2. Excessive water flow. 3. Incorrect sized or grade of filter media.
Filter Media returning to Swimming Pool/ Spa	<ol style="list-style-type: none"> 1. Filter is on recirculate. 2. Verify it is the filter media and not from another source. 3. Damage to the under-drain laterals. 4. Damaged or incorrect connections to the Multiport Valve. 5. Incorrect sized or grade of filter media.
Short filtration cycles	<ol style="list-style-type: none"> 1. Presence of algae or a scale build up. 2. Check water chemistry. 3. Excessive water flow, check pump size / mains water flow. 4. Filter blocked through calcium etc. clean filter media. 5. Ineffective backwash, perform thorough backwash.
High pressure on start-up.	<ol style="list-style-type: none"> 1. Small eyeball fitting in Pool / Spa. 2. Partially closed valve on return line. 3. Pump size is too large for the filter.

WARRANTY

Please refer to Waterco's warranty terms and conditions.

Table des

matières

CONSIGNES DE SECURITE	15
FILTRES WATERCO EN FIBRES DE VERRE	19
INSTALLATION	20
FONCTIONNEMENT A VALVE MULTIVOIES (4 et 6 voies)	23
PREMIERE MISE EN ROUTE DU FILTRE	24
CONTRELAVAGE	25
ENTRETIEN	27
PREPARATIFS POUR L'HIVER	28
RECHERCHE DES CAUSES DE PANNES	29
GARANTIE	29

CONSIGNES DE SECURITE

1. De par leur conception, les filtres en fibres de verre Waterco doivent s'utiliser avec de l'eau à une température comprise entre plus de 0°C et moins de 40°C. Il ne faut jamais faire fonctionner ce filtre à une température sortant de ces limites, sinon il risquerait d'être endommagé.
2. L'installation doit se faire en respectant les normes et réglementations locales de sécurité.
3. Avant de modifier ce filtre, il convient d'obtenir l'autorisation préalable de Waterco. L'emploi de pièces et accessoires de rechange d'origine autorisés par le constructeur garantit une sécurité de haut niveau. Waterco n'assume aucune responsabilité en cas de dégât ou de blessure occasionnée par l'emploi de pièces et accessoires qui ne sont pas autorisés.
4. L'utilisateur doit s'assurer que l'installation est confiée à des personnes qualifiées et autorisées et que ces personnes ont préalablement lu les consignes d'installation.
5. L'utilisation en toute sécurité de ce filtre n'est garantie que si les consignes d'installation et d'utilisation sont respectées précisément.
6. En cas de fonctionnement défectueux ou d'anomalie, contactez Waterco ou son agent agréé de service le plus proche.
7. Pour réduire les risques de blessures, vous ne devez pas autoriser des enfants à utiliser ce produit.
8. S'il est installé incorrectement, cet équipement risque de tomber en panne et de provoquer des blessures graves ou des dégâts.
9. Les épanchements et vapeurs d'agents chimiques risquent d'affaiblir les équipements de la piscine / d'installations balnéaires. La corrosion risque de provoquer la défaillance de filtres et d'autres équipements, ce qui pourrait entraîner des blessures graves ou des dégâts. Ne conservez pas de produits chimiques pour piscines à proximité de votre équipement.

Veillez toujours prendre des précautions de sécurité fondamentales, y compris les suivantes. Tout non-respect des instructions peut entraîner de graves blessures et/ou la mort.

Ceci est le symbole d'avertissement de sécurité. Lorsque vous voyez ce symbole sur votre équipement ou dans ce manuel, recherchez l'un des termes suivants et soyez vigilant au risque de blessures corporelles.



AVERTISSEMENT vous avertit des dangers qui **pourraient** entraîner de graves blessures corporelles, la mort ou des dégâts matériels importants et qui, s'ils sont ignorés, présentent un risque potentiel.

MISE EN GARDE vous avertit des dangers qui **vont** ou **peuvent** entraîner des blessures corporelles et/ou des dégâts matériels mineurs ou modérés et qui, s'ils sont ignorés, présentent un risque potentiel. Ce terme peut également informer les consommateurs d'actions imprévisibles et dangereuses.

AVIS indique des instructions spéciales importantes, mais sans rapport aux dangers.

AVERTISSEMENT - Veuillez lire et suivre toutes les instructions du présent manuel du propriétaire et relatives à l'équipement. Tout non-respect des instructions peut entraîner de graves blessures et/ou la mort.

Avertissement - Risque de piégeage par aspiration.

L'aspiration dans les prises et/ou les crépines d'aspiration qui sont abîmées, cassées, fissurées, manquantes ou non fixées correctement peut entraîner de graves blessures corporelles et/ou la mort à cause des risques d'aspiration suivants :



Aspiration des cheveux - Les cheveux peuvent se retrouver coincés dans la crépine d'aspiration.



Aspiration d'un membre - Un membre inséré dans l'ouverture ou la crépine d'une prise d'aspiration abîmée, cassée, fissurée, manquante ou non fixée correctement peut entraîner un blocage mécanique ou le gonflement du membre.



Aspiration du corps - Une pression négative appliquée sur une grande partie du corps ou des membres peut plaquer la personne et l'empêcher de bouger.

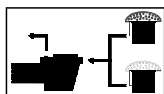


Éviscération/Éventration - Une pression négative appliquée directement sur les intestins par une prise d'aspiration non protégée ou une crépine d'aspiration abîmée, cassée, fissurée, manquante ou non fixée correctement peut entraîner une éviscération ou une éventration.



Aspiration mécanique - Il est possible que les bijoux, les maillots de bain, les accessoires pour cheveux, les doigts, les orteils ou les articulations des doigts se retrouvent coincés dans l'ouverture d'une crépine d'aspiration.

⚠ AVERTISSEMENT - Afin de réduire les risques de piégeage :



- Lorsque les prises d'aspiration peuvent facilement être bloquées par une personne, il faut installer au moins deux prises d'aspiration opérationnelles par pompe. Les prises d'aspiration se trouvant sur le même plan (au sol ou sur les parois) doivent être installées à un mètre minimum de distance les unes des autres, mesuré entre les deux points les plus rapprochés.
- Les doubles prises d'aspiration doivent être positionnées de manière à éviter un double blocage par un utilisateur.
- Elles ne doivent pas être installées sur les places assises ou les dossiers de ces places assises.
- La pression de fonctionnement maximale du système ne doit pas dépasser , voir Conditions de contrerelavage, point 3 page 22.
- Ne jamais utiliser la piscine ou le spa si l'un des composants des prises d'aspiration est abîmé, cassé, fissuré, manquant ou non fixé correctement.
- Les composants des prises d'aspiration abîmés, cassés, fissurés, manquants ou non fixés correctement doivent être remplacés immédiatement.
- En plus des deux prises d'aspiration minimum installées par pompe, conformément aux dernières normes ASME, APSP et aux directives CPSC, il faut suivre tous les codes nationaux, fédéraux et locaux applicables.
- Il est recommandé d'installer un système de sécurité contre l'effet ventouse afin d'éviter tout piégeage par aspiration.

⚠ AVERTISSEMENT - Tout oubli de retrait des bouchons de test de pression et/ou des bouchons utilisés pour l'hivernage de la piscine/du spa des prises d'aspiration peut entraîner un risque accru de piégeage par aspiration, comme décrit ci-dessus.

⚠ AVERTISSEMENT - Le fait de ne pas s'assurer que les composants des prises d'aspiration sont exempts de débris, tels que des feuilles, des saletés, des cheveux, du papier et autres matières, peut entraîner un risque accru de piégeage par aspiration, comme décrit ci-dessus.

⚠ AVERTISSEMENT - Les composants des prises d'aspiration ont une durée de vie limitée. La crépine/grille doit donc être fréquemment inspectée et remplacée tous les SEPT ans minimum ou si elle est abîmée, cassée, fissurée, manquante ou non fixée correctement.

⚠ MISE EN GARDE - Les composants, tels que le système de filtration, de chauffage et les pompes, doivent être positionnés de manière à ne pas pouvoir être utilisés comme un moyen d'accès à la piscine par les jeunes enfants. Afin de réduire les risques de blessures, ne pas autoriser les enfants à utiliser ou à monter sur ce produit. Les enfants doivent toujours être supervisés de près. Les composants, tels que le système de filtration, de chauffage et les pompes, doivent être positionnés de manière à empêcher les jeunes enfants de les utiliser pour accéder à la piscine.



⚠ AVERTISSEMENT - Pression dangereuse. Les systèmes de circulation de l'eau de la piscine et du spa fonctionnent sous une pression dangereuse lors du démarrage, du fonctionnement normal et après l'arrêt de la pompe. Se tenir à l'écart de l'équipement du système de circulation lors du démarrage de la pompe. À cause de la pression dans le système, tout non-respect des instructions de sécurité et d'utilisation pourrait provoquer la séparation violente du boîtier de la pompe et de son couvercle et/ou du boîtier du filtre et de son anneau de retenue, ce qui pourrait entraîner des dégâts matériels, de graves blessures corporelles, voire la mort. Avant de réviser le système de circulation de l'eau de la piscine et du spa, toutes les commandes du système et de la pompe doivent être en position « Off » et la vanne manuelle de mise à l'air du filtre doit être ouverte. Avant de démarrer la pompe, toutes les vannes du système doivent être positionnées de manière à permettre à l'eau de retourner dans la piscine. Ne pas changer la position de la vanne de réglage du filtre lorsque la pompe fonctionne. Avant de démarrer la pompe, ouvrir totalement la vanne manuelle de mise à l'air du filtre. Ne pas fermer la vanne manuelle de mise à l'air du filtre tant qu'un jet d'eau continu (pas un jet d'air ou de mélange d'air et d'eau) ne circule.

⚠ AVERTISSEMENT - Risque de séparation. Tout non-respect des instructions de sécurité et d'utilisation pourrait provoquer la séparation violente des composants de la pompe et/ou du filtre. La grille de la crépine doit être fixée correctement sur le boîtier de la pompe à l'aide de l'anneau de sécurité. Avant de réviser le système de circulation de la piscine et du spa, la vanne manuelle de mise à l'air du filtre doit être ouverte. Ne pas faire fonctionner le système de circulation de la piscine et du spa si un composant du système n'est pas monté correctement, est abîmé ou manquant. Ne pas faire fonctionner le système de circulation de la piscine et du spa si la vanne manuelle de mise à l'air du filtre n'est pas verrouillée dans le corps supérieur du filtre. **Ne jamais faire fonctionner ni tester le système de circulation à une pression supérieure à 3,4 bar. Ne pas purger le système à l'air comprimé.** Le fait de purger le système à l'air comprimé peut provoquer l'explosion des composants avec un risque de blessures graves ou mortelles pour toute personne se trouvant à proximité. Utiliser uniquement un souffleur grand volume à faible pression (inférieure à 0,34 bar) pour purger la pompe, le filtre ou les canalisations.



⚠ AVERTISSEMENT - Risque de choc électrique. Tous les fils électriques DOIVENT être conformes aux codes et réglementations locaux applicables, ainsi qu'au National Electric Code (NEC). Toute tension dangereuse peut provoquer un choc, des brûlures, de graves dégâts matériels ou entraîner la mort. Afin de réduire le risque de choc électrique, NE PAS utiliser de rallonge pour brancher l'alimentation électrique. Fournir une prise électrique à une position adéquate. Avant de commencer à travailler sur tout matériel électrique, couper l'alimentation électrique. Afin de réduire le risque de choc électrique, remplacer immédiatement les fils endommagés. Positionner la conduite afin d'éviter qu'elle ne puisse être endommagée par les tondeuses, les taille-haies et autre équipement. NE PAS mettre à la terre sur une conduite d'alimentation en gaz.

⚠ AVERTISSEMENT - Risque de choc électrique. Le fait de négliger de mettre tout matériel électrique à la terre peut entraîner un risque de choc électrique grave, voire mortel. Tout matériel électrique doit être mis à la terre avant d'être raccordé à l'alimentation électrique.

⚠ AVERTISSEMENT - Risque de choc électrique. Le fait de négliger de créer une liaison équipotentielle entre tout matériel électrique et la structure de la piscine augmente le risque d'électrocution et peut entraîner des blessures ou la mort. Afin de réduire le risque de choc électrique, se reporter aux instructions d'installation et consulter un électricien professionnel sur la manière de créer une liaison équipotentielle pour tout le matériel électrique. Pour obtenir des informations sur les codes électriques locaux relatifs aux exigences de liaison équipotentielle, contacter un électricien agréé.

Remarques à l'attention des électriciens : Utiliser un conducteur en cuivre de taille 8 AWG ou plus gros. Tirer un fil continu entre la cosse externe et le piquet ou le grillage. Raccorder un fil de liaison équipotentielle en cuivre de 8 AWG (8,4 mm²) [6 AWG (13,3 mm²) pour le Canada] au connecteur de fil à pression présent sur le matériel électrique et à toutes les parties métalliques de la piscine, du spa ou du jacuzzi et aux conduites métalliques (à l'exception des conduites de gaz) dans un rayon de 1,5 m des parois intérieures de la piscine, du spa ou du jacuzzi.

IMPORTANT - Se reporter aux codes NEC pour toutes les normes de câblage, y compris, sans limitation, la mise à la terre, la liaison équipotentielle et autres procédures générales de câblage.



⚠ AVERTISSEMENT - Risque de choc électrique. Le matériel électrique doit uniquement être connecté à un circuit d'alimentation protégé par un disjoncteur de fuites à la terre. Ce disjoncteur de fuites à la terre doit être fourni par l'installateur et testé régulièrement. Pour tester le disjoncteur de fuites à la terre, appuyer sur le bouton de test. Il doit couper l'alimentation. Appuyer sur le bouton de réinitialisation. L'alimentation doit être rétablie. Si le disjoncteur de fuites à la terre ne fonctionne pas de cette manière, il est défectueux. S'il coupe l'alimentation du matériel électrique sans que l'on n'appuie sur le bouton de test, cela indique la présence d'un courant à la terre et d'un risque de choc électrique. Ne pas utiliser ce matériel électrique. Débrancher le matériel électrique et le faire réparer par un représentant agréé avant de l'utiliser.



MISE EN GARDE - Les pompes Waterco sont conçues pour être utilisées dans des piscines installées de manière permanente, ainsi que dans des jacuzzis et spas, si cela est indiqué. Ne pas les utiliser dans des piscines démontables. Une piscine installée de manière permanente est construite dans ou sur le sol ou dans un bâtiment et ne peut pas être démontée. Une piscine démontable est construite de manière à pouvoir être facilement démontée pour la ranger et la remonter par la suite.



AVERTISSEMENT - Risque d'hyperthermie. Afin d'éviter l'hyperthermie, il est recommandé de suivre les règles de sécurité suivantes pour les jacuzzis de la Commission américaine de sécurité des produits de consommation (CPSC).

1. La température de l'eau du spa ou du jacuzzi ne doit jamais dépasser 38°C, la température considérée sans danger pour un adulte en bonne santé. Il est recommandé de prendre des précautions spéciales pour les jeunes enfants. Une immersion prolongée dans de l'eau chaude peut entraîner une hyperthermie.
2. La consommation d'alcool avant ou pendant l'utilisation du spa ou du jacuzzi peut entraîner une somnolence qui peut provoquer une perte de connaissance et une noyade.
3. Les femmes enceintes doivent faire preuve de prudence. L'immersion dans une eau à une température supérieure à 38°C peut avoir des effets nocifs sur le fœtus au cours des trois premiers mois de grossesse (résultant en des lésions cérébrales ou déformations physiques chez l'enfant). Les femmes enceintes doivent respecter la règle fixant la température maximale à 38°C.
4. Avant d'entrer dans le spa ou le jacuzzi, les utilisateurs doivent contrôler la température de l'eau à l'aide d'un thermomètre précis. Les thermostats des spas ou jacuzzis peuvent réguler la température de l'eau avec des tolérances allant jusqu'à 2,2°C.

5. Les personnes prenant des médicaments entraînant une somnolence, comme des sédatifs, antihistaminiques ou anticoagulants, ne doivent pas utiliser de spa ou de jacuzzi.
6. Si la piscine ou le spa est utilisé(e) à des fins thérapeutiques, il faut suivre les recommandations du médecin. Toujours agiter l'eau de la piscine/du spa avant d'y entrer afin de mélanger l'eau de surface dont la température pourrait dépasser les limites de températures saines et entraîner des blessures. Ne pas toucher aux boutons de commande afin d'éviter tout risque de brûlure en cas de dysfonctionnement de ces derniers.
7. Les personnes avec des antécédents de maladie cardiaque, de problèmes de circulation, atteintes de diabète ou d'hypertension doivent demander l'avis de leur médecin avant d'utiliser des spas ou des jacuzzis.
8. On parle d'hyperthermie lorsque la température interne du corps dépasse de plusieurs degrés la température corporelle normale de 37°C. Les symptômes de l'hyperthermie incluent notamment une somnolence, une léthargie, des étourdissements, des évanouissements et une augmentation de la température corporelle.

Les effets de l'hyperthermie incluent :

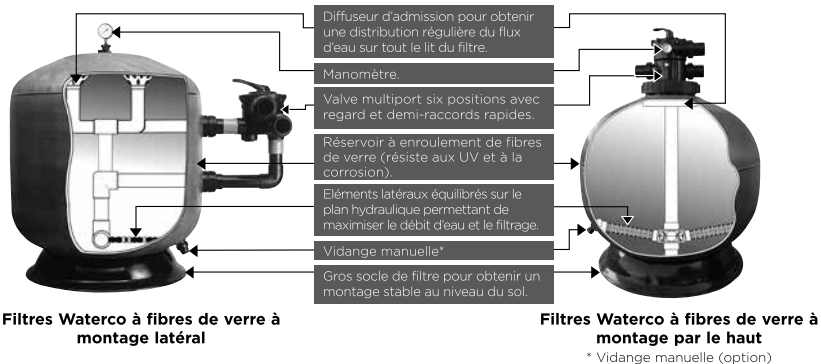
1. l'ignorance d'un danger imminent ;
2. l'incapacité à percevoir la chaleur ;
3. l'incapacité à reconnaître qu'il est temps de sortir du spa ;
4. l'incapacité physique à sortir du spa ;
5. des effets nocifs sur le fœtus chez les femmes enceintes ;
6. une perte de conscience entraînant un risque de noyade.

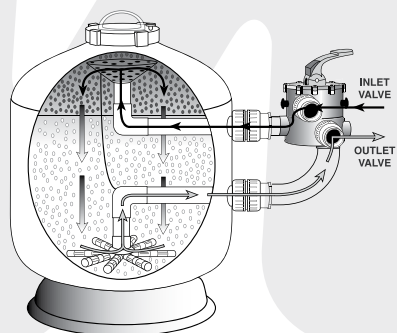
VEUILLEZ CONSERVER CES CONSIGNES

FILTRES WATERCO A FIBRES DE VERRE

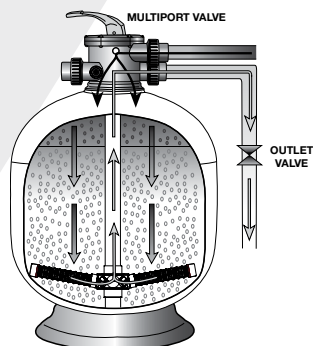
Les filtres Waterco en fibres de verre font appel à la technologie la plus récente d'enroulement des fibres de verre. Les filtres Waterco en fibres de verre se composent d'une enveloppe interne en résine polyester renforcée par un enroulement de filaments de fibres de verre. L'enrouleuse Waterco de filaments à commandes numériques enroule en continu des torons de filament de fibres de verre. L'utilisation de filaments de première qualité associés au contrôle de la tension du filament fabrique un conteneur monobloc sans joint visible offrant une finition parfaite et une qualité supérieure. Les filtres sont réalisés d'un seul bloc, sans soudures ni joints ni garnitures spéciales risquant de se corroder ou de s'électrolyser avec le temps.

Il n'y a pas de soudures ou de joints ou de garnitures spéciales de réservoirs qui risqueraient de se corroder ou de s'électrolyser.





Filtres Waterco à fibres de verre à montage latéral



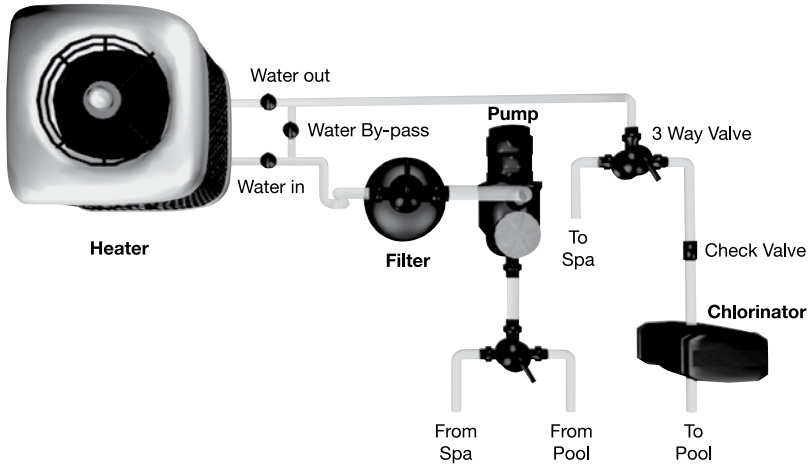
Filtres Waterco à fibres de verre à montage par le haut

Filtrage

Les filtres Waterco en fibres de verre fonctionnent en utilisant le principe de « filtration en profondeur », Les impuretés sont entraînées sur le lit de filtration ou elles sont retenues entre les particules de produit de filtration. L'eau filtrée poursuit son trajet avant de ressortir par la valve multivoies du filtre.

INSTALLATION

1. Positionnez le filtre le plus près possible de la piscine / des installations balnéaires.
2. Positionnez le filtre à un emplacement où il ne risque pas d'être immergé et à l'écart des puisards, gouttières, zone de contrebas dans le jardin, etc.
3. Positionnez le filtre de telle sorte que les raccordements hydrauliques, de la valve multivoies et du drain d'évacuation pour l'hiver soient faciles d'accès. Les interventions d'installation, d'entretien et de préparation pour l'hiver seront facilitées par un accès facile.
4. Nous conseillons d'installer le filtre de manière à ce que l'étiquette de conformité soit dirigée vers l'avant pour faciliter l'identification.
5. L'installation du filtre sera prévue sur une dalle plane et horizontale en béton. Le sol doit être ferme. En aucun cas, le sol ne doit s'affaisser lorsque le filtre sera en fonctionnement. Les contraintes au niveau de la plomberie pourraient engendrer des fuites au cours de l'utilisation.
6. Assurez-vous que le filtre ne bouge pas pendant le fonctionnement de la valve multivoies.
7. Prévoyez un dégagement suffisant tout autour du filtre afin de procéder facilement à une inspection visuelle du système de filtration.



Remplissage du filtre

1. Lors du garnissage du filtre avec le média de filtration, nous conseillons de procéder à un contrôle visuel des éléments latéraux. Vérifiez qu'aucun élément latéral n'est cassé ou desserré. Procédez aux remplacements si nécessaires.
2. Pour éliminer les contraintes sur les éléments latéraux, remplissez le conteneur du filtre à moitié d'eau afin de bénéficier d'un effet d'amortissement lorsque vous versez le média de filtration.
3. **a) Filtres en fibres de verre à montage par le haut** - Ces filtres sont livrés avec un dispositif en matière plastique permettant de centrer la tige et d'éviter que le média de filtration ne pénètre dans la conduite centrale. Placez ce dispositif de positionnement sur la partie centrale puis versez avec précaution le média de filtration au travers des perforations prévues. Une fois cette opération terminée, retirez ce dispositif de positionnement.

NOTE : s'il n'y a pas de gabarit ou si vous avez perdu le dispositif de positionnement, vous devez centrer la tige et obturer son ouverture pour un défaut d'alignement ou un colmatage de la tige.

b) Filtres en fibres de verre à montage latéral (SM600) - Retirez le diffuseur supérieur de la conduite interne puis placez le flexible d'évacuation de l'air sur le côté. Obturez la conduite interne du diffuseur (pièce fournie) afin d'éviter que le média filtration ne pénètre dans les conduites. NE DEPLACEZ PAS LA CONDUITE DU DIFFUSEUR car cela risque d'affecter l'intégrité du joint de la traversée de paroi.

NOTE : les consignes ci-dessus ne s'appliquent pas aux filtres à fibres de verre à montage (taille supérieure au modèle SM600). Pour ces filtres, le média de filtration qui pénétrerait dans les canalisations serait éliminé naturellement lors du fonctionnement normal du filtre.

4. Éliminez par lavage le média de filtration et les débris au niveau des filetages et des surfaces d'étanchéité du filtre.
5. Lubrifiez le joint torique ou le joint plat (type à boulon) de la valve multivoies et le filetage du filtre. Le lubrifiant employé doit être à base de silicium et ne doit pas contenir de produits pétrochimiques.
6. Vissez la valve multivoies ou le couvercle supérieur sur le réservoir du filtre puis serrez à la main.

Plomberie

1. Vérifiez que la pression d'admission de l'eau se situe dans les limites recommandées. En cas d'utilisation d'eau provenant du réseau d'adduction ou d'une pompe haute pression, nous conseillons de vérifier qu'un clapet de limitation de pression est bien en place.
2. Assurez-vous qu'un clapet de pied ou un anti-retour est installé si la pompe est fixée à 500 mm au-dessus du niveau de l'eau. Nous vous conseillons de lire attentivement la notice technique de votre pompe afin de vérifier ses conditions d'installation et la qualité de son montage.
3. Si le filtre est implanté au-dessous du niveau de l'eau ou est raccordé au circuit principal d'adduction d'eau, il faut installer des vannes d'isolement au niveau de l'entrée et de la sortie du filtre. Cette précaution empêche la circulation de l'eau dans le filtre lors des opérations d'entretien courant.
4. Nous conseillons de réfléchir à l'installation du filtre pour réduire la longueur des canalisations et le nombre de raccords. Plus les raccords sont nombreux et les canalisations longues et plus le débit de filtration sera réduit.
5. Branchez toutes les conduites sur la vanne multivoies en collant et vissant à fond toutes les connexions de manière à éviter toute fuite.
6. Assurez-vous, lors des collages, que la colle et le décapant ne sont pas utilisés en excès. Ces produits agressifs risqueraient de pénétrer dans les joints toriques et de créer des fuites problématiques.
7. Evitez de serrer excessivement les raccords et les adaptateurs.

Installation de la vanne multivoies

Les filtres en fibres de verre à montage par le haut sont livrés avec une vis de montage par le haut qui se visse dans la vanne multivoies ou d'un collier de serrage qui se fixe sur la vanne multivoies.

Les filtres à fibres de verre à montage latéral sont livrés avec, en option, une vanne multivoies à montage latéral qui s'accompagne d'une trousse de plomberie qui permet d'assurer le raccordement aux ports latéraux du filtre.

Les vannes multivoies sont livrées avec trois raccords-union filetés.

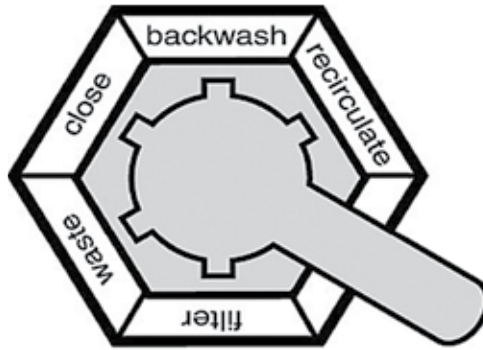
1. Vérifiez que la partie supérieure du filtre est exempte de résidus de médias filtrants ou de débris. S'il y a un joint torique de vanne, vérifiez que ce dernier est bien en position.
2. Vérifiez le marquage de chaque raccordement de la vanne et positionnez la valve en tenant compte du sens de passage de l'eau. Il faut ensuite raccorder la pompe à la vanne et la vanne au réseau d'évacuation d'eau (égout).
3. **Valve multivoies à visser sur le haut du filtre** - Faites tourner la vanne pour l'installer dans le pas de vis du filtre.

Valve multivoies à collier de serrage pour le montage par le haut - Alignez la valve sur la partie supérieure de la flasque du filtre. Placez un demi-collier sur la flasque de la vanne et celle du réservoir. Introduisez les vis et écrous dans le collier de serrage en vous assurant que les écrous pénètrent bien dans les fentes qui se trouvent sur le collier. Serrez à fond les vis du collier de serrage et vérifiez que l'assemblage de la valve et du collier est correct.

Valve multivoies à montage latéral - Alignez la trousse de plomberie de la vanne multivoies sur les raccords-union filetés du filtre. Vissez les raccords-union sur les raccords-union de raccordement du filtre et serrez-les à la main. Evitez tout serrage excessif des raccords-union qui risquerait de provoquer des dégâts non couverts par notre garantie.

4. Vissez les raccords-union de la vanne multivoies sur les raccords-union filetés et serrez à la main. Les raccords-union doivent se visser fermement sur la vanne multivoies. Il ne doit pas y avoir de jeu entre les filets. Evitez tout serrage excessif des raccords-union qui risquerait de provoquer des dégâts non couverts par notre garantie.
5. Collez la conduite en PVC sur les raccords-union et laissez la colle sécher pendant 24 heures avant de mettre le filtre en route.
6. Testez le filtre et vérifiez l'absence de fuites autour des filets.

FONCTIONNEMENT DE LA VANNE MULTIVOIES (4 et 6 voies)



1. Filtre - Position de filtrage.

L'eau venant du circuit et poussée par la pompe vers la vanne multivoies sur le haut du filtre. L'eau circule au travers du média de filtration où les impuretés et les débris sont retenus. L'eau filtrée quitte alors la partie inférieure du filtre, retourne à la vanne multivoies puis au circuit de retour.

2. Contre-lavage - Position de nettoyage du média de filtration.

Le sens de circulation de l'eau est inversé par la vanne multivoies. L'eau traverse le filtre de bas en haut. Les impuretés et les débris prisonniers du média de filtration sont évacués par la conduite de rejet vers les égouts.

3. Rinçage - Position de rinçage du circuit du filtre.

Le flux d'eau est dirigé par la vanne multivoies et traverse le lit filtrant de haut en bas. Ce procédé permet de décanter le média filtrant dans le lit du filtre. Les éventuelles impuretés restées en suspension dans l'eau ne reviendront pas dans la piscine / les installations balnéaires.

NOTE: cette position n'existe pas sur les vanne multivoies 4 voies.

4. Déchet - Positionnement permettant de contourner le lit du filtre et d'activer la fonction déchets.

Le débit d'eau est dirigé par la vanne multivoies directement vers la sortie de contre-lavage en contournant ainsi le filtre. Cette position permet d'abaisser le niveau d'eau ou d'évacuer l'eau contenant des teneurs importantes en impuretés.

5. Recirculation - Positionnement permettant de contourner le lit du filtre et d'aller directement à la piscine / aux installations balnéaires.

La vanne multivoies assure la recirculation du débit d'eau pour renvoyer cette dernière directement à la piscine / aux installations balnéaires.

Dans cette position, le lit filtrant est totalement contourné.

6. Fermeture - Position permettant de couper tout débit à destination du filtre.

Il est possible de fermer la vanne multivoies pour assurer l'entretien de la pompe sans vidanger l'eau du filtre. Il ne faut pas utiliser cette position pendant le fonctionnement de la pompe.

NOTE: cette position n'existe pas sur les vanne multivoies 4 voies.

CAUTION

Il faut toujours faire fonctionner la valve multiport ou choisir un mode après avoir arrêté la pompe.

PREMIERE MISE EN ROUTE DU FILTRE

Assurez-vous que le filtre contient un volume correct de média de filtration et que toutes les connexions sont suffisamment serrées (à la main).

1. Appuyez sur la poignée de la vanne multivoies puis faites-la tourner pour l'amener sur la position CONTRELAVAGE (BACKWASH). Dans le même temps, ouvrez la vanne d'évacuation de l'air sur le filtre ou sur la vanne multivoies.

NOTE: pour éviter d'endommager le joint de la vanne de commande, vous devez toujours appuyer sur la poignée avant de la faire pivoter.

2. Mettez la pompe en marche / Ouvrez la vanne d'admission pour que le filtre se remplisse d'eau.

NOTE: si une pompe a été installée, mettez-la en marche puis arrêtez-la au lieu de fermer et d'ouvrir la valve d'admission.

3. Dès qu'un débit régulier d'eau sort de la canalisation allant vers les égouts, fermez la vanne d'évacuation de l'air et laissez la pompe fonctionner jusqu'à ce que l'eau d'évacuation devienne limpide. Le contre-lavage initial du filtre est recommandé pour éliminer du média filtrant les impuretés et les plus fines particules jusqu'à ce que le regard soit parfaitement transparent. Cette procédure dure 3 minutes.

4. Arrêtez la pompe et amenez la vanne multivoies sur la position RINCAGE (RINSE). Mettez la pompe en marche / Ouvrez la vanne d'admission jusqu'à ce que l'eau passant par le regard soit limpide - cette opération dure entre 10' et 15 secondes.

5. Arrêtez la pompe / Fermez la vanne d'admission, amenez la vanne multivoies sur la position FILTRATION (FILTER) puis mettez à nouveau la pompe en marche et ouvrez la vanne d'admission. Le filtre fonctionne alors dans son mode normal de filtration.

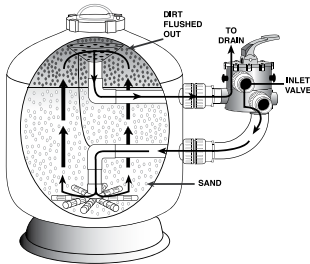
6. Ajustez les vannes d'aspiration et surtout de refoulement de votre pompe pour obtenir le débit souhaité. Vérifiez les fuites d'eau même infimes. Si besoin est, serrez une dernière fois les connexions et raccords union.

7. Notez la valeur affichée par le manomètre (pression de démarrage) lors du fonctionnement initial. Au bout d'un certain temps, les accumulations d'impuretés et de débris dans le filtre créent une résistance qui s'oppose à la circulation de l'eau, provoquant une diminution du débit et une augmentation de la pression. Lorsque la pression affichée par le manomètre dépasse de 50 kPa (0,5 bar) la pression initiale de « démarrage », le moment est venu de procéder à un contre-lavage (nettoyage) du filtre (consultez la section contre-lavage).

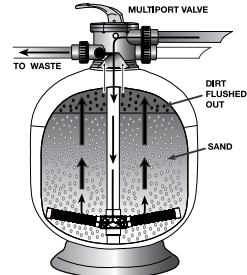
NOTE: si le filtre est raccordé au réseau principal d'adduction d'eau, il n'est pas nécessaire de noter la pression de « démarrage » car la pression du réseau d'adduction d'eau a tendance à fluctuer.

CONTRELAVAGE

Cette fonction consiste à séparer les impuretés du média filtrant. L'objectif est d'évacuer ces impuretés vers les égouts. Ce contre-lavage s'obtient en inversant le sens de circulation de l'eau qui traverse le lit du filtre avec un débit relativement important. Ce débit important provoque une expansion du lit du filtre et le flux d'eau achemine les débris jusqu'à la conduite allant jusqu'aux égouts.



Filtres Waterco à fibres de verre à montage latéral



Filtres Waterco à fibres de verre à montage par le haut

Conditions du contre-lavage :

La durée de ce contre-lavage dépend des conditions suivantes :

1. Le débit traversant le filtre diminue et finit par être insuffisant pour assurer un brassage et une filtration efficace.
2. L'efficacité de la filtration diminue et, au bout d'un certain temps, la qualité de l'eau filtrée se détériore. A terme, des impuretés ou des débris sont renvoyés à la piscine.
3. Il faut effectuer un contre-lavage lorsque le manomètre affiche une pression qui dépasse de 50 kPa (0,5 bar) la pression de démarrage.
4. Si le filtre est raccordé au réseau principal d'adduction d'eau, cette élévation de pression ne constitue pas une indication suffisante car la pression du réseau d'adduction d'eau a tendance à présenter des fluctuations. Il vaut mieux se baser sur le débit réel à mesurer par un débitmètre.

Importance du contre lavage

Nous ne saurions trop insister sur l'importance des contre lavages. Le média de filtration est dense et risque de se « compacter » si vous ne procédez pas à un contre lavage correct et à intervalles réguliers. Des débris vont rester coincés et créer des canaux de circulation préférentiels à l'intérieur du lit filtrant. Cela provoque un épuisement rapide du lit filtrant. De plus, si les débris ne sont pas correctement séparés des grains du média de filtration, le lit va s'encrasser de plus en plus jusqu'à ce que le filtre ne fonctionne plus du tout.

Consignes de contre lavage :

1. Arrêtez la pompe puis fermez la vanne d'admission.
2. Dépressurisez le filtre en desserrant la vanne de dépressurisation jusqu'à ce que l'aiguille du manomètre tombe à zéro 0 PSI.
3. Refermez la vanne de dépressurisation.
4. Appuyez sur la poignée puis tournez-la sur 180° pour l'amener sur la position CONTRELAVAGE (BACKWASH).
Sur cette position CONTRELAVAGE, le sens de circulation de l'eau est automatiquement inversé et l'eau traverse le filtre de bas en haut. Le flux d'eau chasse les impuretés du filtre et les évacue vers la canalisation des égouts.
5. Ouvrez la vanne d'admission puis mettez la pompe en marche. L'eau du contre lavage traverse le lit du filtre avant d'en sortir par la conduite de vidange du lit du filtre.
6. Lorsque l'eau de ce contre lavage qui apparaît dans le regard semble limpide, arrêtez la pompe puis refermez la vanne d'admission.
7. Appuyez sur la poignée puis tournez-la pour l'amener sur la position RINCAGE (RINSE).
Sur cette position de rinçage, l'eau est envoyée directement dans le filtre qu'elle traverse de bas en haut comme lors du mode normal de filtration. L'eau est cependant évacuée vers les égouts. Ce procédé permet de décanter le média filtrant dans le filtre et d'évacuer les impuretés ou débris du filtre afin d'éviter de les rejeter dans la piscine.
8. Mettez la pompe en marche / Ouvrez la valve d'admission. L'eau de ce rinçage sort par la conduite de vidange.
9. Appuyez sur la poignée puis tournez-la pour l'amener sur la position FILTRATION (FILTER) puis ouvrez la valve d'admission et mettez la pompe en marche pour revenir à un fonctionnement normal.
10. Appuyez sur la poignée puis tournez-la pour l'amener sur la position FILTRAGE (FILTER) puis mettez la pompe en marche / ouvrez la valve d'admission pour procéder à un fonctionnement normal.

ENTRETIEN

Il faut remplacer le média de filtration dès que sa durée de vie est atteinte. Consultez les informations fournies au sujet du produit de filtrage utilisé.

Pour garantir la durée maximale de vie du filtre et de son média de filtration, nous vous invitons à procéder comme indiqué ci-dessous :

1. Procédez périodiquement au contre-lavage du filtre en respectant les consignes de la section « contre-lavage ».
2. Consultez les consignes prévues pour le média de filtration employé et procédez en conséquence aux procédures de régénération.
3. Maintenez un équilibre chimique correct dans votre piscine / vos installations balnéaires. L'équilibre chimique de l'eau est le rapport qui existe entre le pH, l'alcalinité totale, la dureté du calcium et la température de l'eau. L'eau doit toujours se situer dans les limites suivantes :

NIVEAU DU pH	: ENTRE 7,2 ET 7,8
ALCALINITE TOTALE	: ENTRE 80 ET 150 ppM
DURETE DU CALCIUM	: ENTRE 150 ET 300 ppM

Et tout en maintenant ces limites d'équilibrage, il faut maintenir un indice de saturation Langelier compris entre -0,2 et +0,2.

NOTE : des trousse d'essai sont proposées pour vous permettre de tester vous-même l'eau. Vous pouvez apporter un échantillon d'eau à un magasin professionnel spécialisé dans les piscines et les installations balnéaires.

4. Il faut surveiller les alimentations en eau provenant du réseau d'adduction ou en milieu rural. La durée de vie de l'eau d'un réseau d'adduction ou d'un forage (milieu rural) va varier en fonction de la qualité de l'eau.
5. Pour éviter tout endommagement de la pompe et du filtre et pour obtenir un fonctionnement correct de ce système, nettoyez périodiquement la crépine de la pompe et les paniers flottants.
6. Remplacez le manomètre s'il affiche des valeurs incorrectes.

PREPARATIFS POUR L'HIVER

Il faut toujours prendre des mesures correctes de préparation à l'hiver pour protéger votre filtre.
Il faut éviter d'exposer votre filtre à des températures inférieures à zéro degrés Celsius (°C).

1. Arrêtez la pompe / Fermez la valve d'admission.
2. Ouvrez la valve d'évacuation de l'air puis amenez la poignée de la valve multivoie sur la position de préparation à l'hiver [entre les position filtration et égout]. Cela va permettre à l'air de traverser toutes les ouvertures pour éviter une accumulation d'eau.
3. Retirez du filtre les bouchon de vidange.
4. Vidangez l'eau présente dans les toutes les canalisations.

GUIDE DE RECHERCHE DES CAUSES DE PANNES

<p>Force supérieure à la norme ou excessive pour faire fonctionner la valve multivoies</p>	<p>Continuez de faire fonctionner cette vanne peut engendrer des risques de rupture d'étanchéité insuffisante (endommagement du joint plat). Cela provoquera alors des pertes d'eau dans la conduite de contre-lavage ou donnera une filtration insuffisante.</p> <p>Note : lors de l'utilisation d'un dispositif d'aspiration pour nettoyer la piscine, il est recommandé d'utiliser une chaussette filtrante pour éviter que des impuretés et des débris ne viennent se loger entre ce joint plat et le corps de la valve multivoies.</p>
<p>L'eau n'est pas limpide</p>	<ol style="list-style-type: none"> 1. Durée insuffisante de filtration. 2. Baigneurs nombreux ou quantité trop importante en impuretés. Il faut procéder à une floculation de la piscine et à son nettoyage par aspiration et évacuer le tout directement vers la sortie à déchets. 3. Le filtre est encrassé et un contre-lavage en profondeur est nécessaire. 4. Fuite d'air au niveau de l'aspiration (conduite d'admission). 5. Les aubes de la roue centrifuge sont bloquées. 6. Alimentation eau insuffisante (niveau d'eau bas, blocage). 7. La pompe n'est pas amorcée. 8. Composition chimique incorrecte de l'eau. 9. Débit en eau excessif pour la taille du filtre. Circulation forcée de corps étrangers ou de débris dans le lit du filtre et dans le drain inférieur. 10. Autres restrictions y compris (groupes de nettoyage de la piscine par aspiration) la résistance hydraulique provenant d'autres équipements en ligne dont les crépines. Le fonctionnement du filtre avec de l'eau de recirculation va permettre de déterminer si la restriction se situe dans le filtre. 11. Colmatage ou formation de canaux pour le produit de filtrage Procédez à un contre-lavage ou une régénération.
<p>Evacuez le produit de filtration jusqu'à la conduite à déchets lors du rétrolavage.</p>	<ol style="list-style-type: none"> 1. Quantité excessive de média filtrant dans le filtre. 2. Débit excessif d'eau. 3. Granulométrie ou qualité incorrecte du média de filtration.
<p>Produit de filtrage revenant à la piscine / aux installations balnéaires</p>	<ol style="list-style-type: none"> 1. Le filtre utilise de l'eau de recirculation. 2. Vérifiez qu'il s'agit bien du média de filtration et non pas d'une autre source. 3. Endommagement des éléments latéraux du drain inférieur. 4. Branchements endommagés ou incorrects au niveau de la valve multivoies. 5. Granulométrie ou qualité incorrecte du média de filtration.
<p>Cycles courts de filtrage</p>	<ol style="list-style-type: none"> 1. Présence d'algues ou d'une accumulation de tartre. 2. Vérifiez la composition chimique de l'eau. 3. Débit excessif d'eau ; vérifiez la taille de la pompe / le débit d'eau du réseau d'adduction. 4. Colmatage du filtre du fait de la présence de calcium, etc. Nettoyez le média de filtration. 5. Rétroravage inefficace. Procédez à un contre-lavage approfondi ou au remplacement du média de filtration.
<p>Pression élevée lors de la mise en route.</p>	<ol style="list-style-type: none"> 1. Petit raccord à œillet dans piscine/installations balnéaires. 2. Fermeture partielle de la vanne sur la conduite de retour. 3. Taille excessive de la pompe pour le filtre.

GARANTIE

Veuillez consulter les termes et conditions de la garantie Waterco.

Índice

INFORMACIÓN DE SEGURIDAD	31
FILTROS DE FIBRA DE VIDRIO WATERCO	35
INSTALACIÓN	36
FUNCIONAMIENTO VÁLVULA MÚLTIPLES SALIDAS (4 y 6 vías) ..	39
PUESTA EN MARCHA INICIAL DEL FILTRO	40
RETROLAVADO	41
MANTENIMIENTO	43
HIBERNACIÓN	44
SOLUCIÓN DE PROBLEMAS	45
GARANTÍA	45

INFORMACIÓN DE SEGURIDAD

1. Los filtros de fibra de vidrio Waterco están diseñados para funcionar con agua a una temperatura $> a 0\text{ }^{\circ}\text{C}$ e $< a 40\text{ }^{\circ}\text{C}$. El filtro no debe funcionar nunca fuera de estas temperaturas o podrían producirse daños.
2. La instalación debe realizarse de acuerdo con las normas y leyes de seguridad locales.
3. Cualquier modificación del filtro requiere el consentimiento previo de Waterco. Las piezas de repuesto y los accesorios originales autorizados por el fabricante aseguran un alto nivel de seguridad. Waterco no asume responsabilidad por los daños y lesiones causados por piezas de recambio y accesorios no autorizados.
4. El usuario debe asegurarse de que la instalación es realizada por personas cualificadas autorizadas y que estas personas han leído primero cuidadosamente las siguientes instrucciones.
5. La seguridad operativa del filtro sólo se garantiza si se siguen correctamente las instrucciones de instalación y funcionamiento.
6. En el caso de un funcionamiento defectuoso o de fallo, póngase en contacto con Waterco o su agente de servicio autorizado más próximo.
7. Para reducir el riesgo de lesiones, no permita que los niños utilicen este producto.
8. El equipo instalado incorrectamente puede fallar, causando lesiones graves o daños en la propiedad.
9. Los derrames químicos y los humos pueden debilitar el equipo de piscina / spa. La corrosión puede provocar el fallo del filtro y otros equipos, causando lesiones graves o daños en la propiedad. No almacene productos químicos para piscina cerca del equipo.

Siempre debe seguir las instrucciones básicas de seguridad: en caso de no seguir estas instrucciones, pueden producirse lesiones graves o la muerte.

Este es el símbolo de advertencia de seguridad. Cuando vea este símbolo en su equipo o en este manual, busque una de las siguientes palabras de advertencia y preste atención a las posibles lesiones corporales que pueden producirse.



⚠️ ADVERTENCIA avisa sobre peligros que **podrían** provocar lesiones corporales graves, la muerte o daños materiales importantes y, si se ignora, supone un peligro potencial.

⚠️ PRECAUCIÓN avisa sobre peligros que pueden ocasionar u ocasionarán lesiones corporales leves o moderadas o daños materiales y, si se ignora, supone un peligro potencial. También puede avisar al usuario de actividades que resultan impredecibles e inseguras.

La marca de **AVISO** indica la presencia de instrucciones especiales que son importantes pero no están relacionadas con ningún peligro.

⚠️ ADVERTENCIA: Lea y siga todas las instrucciones de este manual de uso y del equipo. En caso de no seguir estas instrucciones, pueden producirse lesiones graves o la muerte.

⚠️ Advertencia: Peligro de atrapamiento por succión.

Las tomas de succión o las tapas de las tomas de succión que falten o estén dañadas, rotas, rajadas o sueltas pueden ocasionar lesiones graves o la muerte en caso de succión debido a los siguientes peligros de atrapamiento:



Atrapamiento de pelo : el pelo puede enredarse en la tapa de la toma de succión.



Atrapamiento de extremidades : introducir una extremidad en una abertura del sumidero de una toma de succión o en la tapa de una toma de succión que falte o esté dañada, rota, rajada o mal colocada puede provocar atascamiento mecánico o hinchazón de la extremidad.



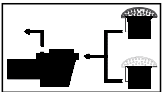
Atrapamiento por succión de cuerpo : si una parte grande del cuerpo o las extremidades recibe presión negativa, puede producirse un atrapamiento.



Evisceración/destripamiento : la presión negativa aplicada directamente a los intestinos a través de una toma de succión sin cubrir o una tapa de una toma de succión que falte o esté dañada, rota, rajada o suelta puede provocar evisceración o destripamiento.

Atrapamiento mecánico : las joyas, el bañador, los adornos para el pelo, los dedos de las manos, los pies o los nudillos pueden quedarse atrapados en una abertura de una tapa de una toma de succión y provocar atrapamiento mecánico.

⚠️ ADVERTENCIA: Para reducir los peligros de atrapamiento:



- Cuando las tomas son lo suficientemente pequeñas para que una persona pueda taponarlas, se deben instalar dos tomas de succión por bomba. Las tomas de succión que estén en el mismo plano (por ejemplo, el suelo o la pared) deben instalarse con una distancia de separación mínima de 1 metro entre los puntos más cercanos.
- Los accesorios de succión dobles deben colocarse de tal forma y a la distancia correcta para que un usuario no pueda bloquear ambos.
- Los accesorios de succión dobles no deben colocarse en zonas para sentarse o en los respaldos de dichas zonas para sentarse.
- La presión operativa máxima del sistema no debe superar lo indicado en la página 38, Condiciones para el retrolavado, punto 3.
- No utilice bajo ninguna circunstancia la piscina o el spa si detecta que algún componente de la toma de succión falta, está dañado, roto, rajado o suelto.
- Sustituya de inmediato los componentes de la toma de succión que falten o estén dañados, rotos, rajados o sueltos.
- Además, debe haber instaladas dos o más tomas de succión por bomba en virtud de las últimas normas ASME, APSP y las pautas de la CPSC (Comisión para la Seguridad de los Productos del Consumidor de EE. UU.), así como las normas nacionales, regionales y locales aplicables.
- Se recomienda la instalación de un sistema de ventilación o neutralización de vacío que atenúe la succión que puede causar un atrapamiento.

⚠️ ADVERTENCIA: No retirar los tapones de prueba de presión o los tapones utilizados durante el invierno de las tomas de succión de la piscina o spa puede aumentar el riesgo de atrapamiento por succión tal y como se indica anteriormente.

⚠️ ADVERTENCIA: No mantener los componentes de las tomas de succión sin residuos como hojas, suciedad, cabello, papel u otros materiales puede aumentar el riesgo de atrapamiento por succión tal y como se indica anteriormente.

⚠️ ADVERTENCIA: Los componentes de las tomas de succión tienen una vida útil determinada, la tapa y la rejilla deben revisarse con frecuencia y cambiarse como mínimo cada SIETE años o si se detecta que faltan, están dañados, rotos, rajados o sueltos.

⚠️ PRECAUCIÓN: Los componentes como el sistema de filtrado, las bombas y el calentador deben colocarse de tal forma que los niños no puedan utilizarlos para acceder a la piscina. Para reducir el riesgo de lesiones, no permita que los niños utilicen o se suban a este producto. Vigile con atención a los niños en todo momento. Los componentes como el sistema de filtrado, las bombas y los calentadores deben colocarse de tal forma que los niños no puedan utilizarlos para acceder a la piscina.



⚠️ ADVERTENCIA: Presión peligrosa. Los sistemas de circulación alcanzan presiones peligrosas durante la puesta en marcha, el funcionamiento normal y tras el apagado de la bomba. Manténgase alejado del equipo del sistema de circulación durante la puesta en marcha de la bomba. Si no se siguen las instrucciones de funcionamiento y seguridad, el armazón y la tapa de la bomba y la carcasa y la abrazadera del filtro podrían separarse de forma violenta debido a la presión del sistema, lo que podría causar daños materiales, lesiones corporales graves o incluso la muerte. Antes de revisar el sistema de circulación de agua de la piscina y spa, debe comprobar que todos los controles del sistema y de la bomba estén desconectados y la válvula de seguridad manual abierta. Antes de poner en marcha la bomba del sistema, todas las válvulas de este deben estar en una posición que permita al agua volver a la piscina. No cambie la posición de la válvula de control del filtro mientras la bomba esté en funcionamiento. Antes de encender la bomba del sistema, abra totalmente la válvula manual de seguridad. No cierre la válvula manual de seguridad hasta que salga un chorro continuo de agua (no de aire o de agua y aire).

⚠️ ADVERTENCIA: Peligro de separación. Si no se siguen las instrucciones de funcionamiento y seguridad, los componentes de la bomba o el filtro podrían separarse de forma violenta debido a la presión. La tapa del colador debe fijarse correctamente al armazón de la bomba con la anilla de seguridad de la tapa del colador. Antes de revisar el sistema de circulación de la piscina y spa, debe abrirse la válvula de seguridad manual de los filtros. No active el sistema de circulación de la piscina y spa si observa que falta algún componente o no está correctamente montado o presenta daños. No active el sistema de circulación de la piscina y spa si la válvula manual de seguridad de la parte superior del filtro no está bloqueada. **Nunca active ni pruebe el sistema de circulación a más de 344 kPa. No purgue el sistema con aire comprimido.** La purga del sistema con aire comprimido puede provocar la explosión de los componentes, lo que supone un riesgo de lesiones graves o de muerte a las personas que se encuentren cerca. Utilice únicamente un soplador de gran volumen a baja presión (por debajo de 34 kPa) al purgar el aire de la bomba, el filtro o las tuberías.



⚠️ ADVERTENCIA: Riesgo de descarga eléctrica. Todo el cableado eléctrico DEBE cumplir las normativas y reglas locales así como el NEC (Código Eléctrico Nacional de EE. UU.). Un voltaje peligroso puede provocar descargas, quemaduras y la muerte o daños materiales graves. Para reducir el riesgo de descarga eléctrica, NO use un alargador para conectar la unidad a la red eléctrica. Utilice una tomacorriente que esté bien situada. Antes de trabajar en cualquier equipo eléctrico, desconecte la electricidad del mismo. Para reducir el riesgo de descarga eléctrica, sustituya los cables dañados de inmediato. Coloque los cables de tal forma que los cortacéspedes, los cortasetos eléctricos y otro tipo de equipos no los dañen. NO conecte a tierra en una tubería de suministro de gas.

⚠️ ADVERTENCIA: Riesgo de descarga eléctrica. No conectar a tierra todo el equipo eléctrico puede suponer un peligro mortal de descarga eléctrica. Conecte a tierra todo el equipo eléctrico antes de conectarlo a la red de suministro eléctrico.

⚠️ ADVERTENCIA: Riesgo de descarga eléctrica. No conectar equipotencialmente todo el equipo eléctrico a la estructura de la piscina aumentará el riesgo de electrocución y podría provocar lesiones o la muerte. Para reducir el riesgo de descarga eléctrica, consulte las instrucciones de instalación y acuda a un electricista profesional para ver cómo conectar equipotencialmente todo el equipo eléctrico. Asimismo, póngase en contacto con un electricista autorizado para informarse sobre las normas eléctricas locales para ver los requisitos de conexión equipotencial.

Notas para el electricista: Utilice un conductor de cobre de calibre 8 o superior. Pase un cable continuo desde la terminal de conexión equipotencial externa hasta la varilla o malla de refuerzo. Conecte un cable de cobre de conexión equipotencial AWG n.º 8 (8,4 mm²) [AWG n.º 6 (13,3 mm²)] al conductor del cable de presión del equipo eléctrico y a todas las partes metálicas de la piscina, spa o jacuzzi, a las tuberías (excepto las de gas) y conductos de metal a una altura de 1,5 m como máximo en el interior de la pared de la piscina, spa o jacuzzi.

IMPORTANTE: Consulte los códigos NEC para las normas sobre cableado, incluida de forma enunciativa pero no limitativa la conexión a tierra, conexión equipotencial y otros procesos de cableado habituales.



ADVERTENCIA: Riesgo de descarga eléctrica. El equipo eléctrico debe conectarse únicamente a un circuito de suministro que disponga de un interruptor de circuito por falla a tierra. El instalador debe facilitar dicho interruptor y debe probarse con frecuencia. Para probarlo, pulse el botón de prueba. Debería desconectarse la corriente. Pulse el botón de restablecimiento. Debería restablecerse la corriente. Si el interruptor de circuito por falla a tierra no funciona de esta forma, es que es defectuoso. Si el interruptor interrumpe la corriente sin que se haya pulsado el botón de prueba, hay una corriente a tierra, lo que indica la posibilidad de una descarga eléctrica. En este caso, no use el equipo eléctrico. Desconéctelo y solicite la ayuda de un técnico de mantenimiento autorizado para resolverlo antes de volver a utilizarlo.



PRECAUCIÓN: Las bombas Waterco se han diseñado para ser utilizadas en piscinas fijas y pueden utilizarse en jacuzzis y spas si así lo indican. No utilizar en piscinas desmontables. Una piscina fija se construye a ras de suelo, sobre el terreno o en un edificio y no se puede desmontar para guardarla. Una piscina desmontable se puede desmontar fácilmente para guardarla y volver a montarla.



ADVERTENCIA: Riesgo de hipertermia. La Comisión para la Seguridad de los Productos del Consumidor de EE. UU. recomienda las siguientes "normas de seguridad para jacuzzis" para evitar la hipertermia.

1. La temperatura del agua del spa o el jacuzzi nunca debe superar los 38 °C, que se considera una temperatura segura para un adulto sano. Se debe tener especial cuidado con los niños pequeños. La inmersión prolongada en agua caliente puede provocar hipertermia.
2. El consumo de alcohol antes o durante una sesión de spa o jacuzzi puede causar somnolencia, lo que podría llevar a la pérdida de conocimiento y, por tanto, producirse un ahogamiento.
3. Las mujeres embarazadas deben tener cuidado. Bañarse en un agua con una temperatura superior a los 38 °C puede provocar daños fetales durante el primer trimestre de embarazo (daños cerebrales o malformaciones). Las embarazadas deben seguir la norma de los 38 °C como máximo.
4. Antes de entrar en el spa o el jacuzzi, el usuario debe comprobar la temperatura del agua con un termómetro preciso. Los termostatos del spa o el jacuzzi pueden presentar un margen de error de 2,2 °C al regular la temperatura del agua.
5. Las personas que tomen fármacos que provoquen somnolencia, como tranquilizantes, antihistamínicos o anticoagulantes no deben bañarse en un spa o jacuzzi.
6. Si la piscina o spa se utiliza con fines terapéuticos, debe hacerse con el asesoramiento de un facultativo. Agite el agua de la piscina o spa antes de entrar para mezclar las capas superficiales más calientes que pueda haber y que puedan superar los límites saludables de temperatura y causar lesiones. No altere los controles, ya que esto puede causar que se caliente mucho el agua si los controles de seguridad no funcionan bien.
7. Las personas con problemas cardíacos, circulatorios, diabetes o de tensión arterial deben consultar a un facultativo antes de utilizar un spa o jacuzzi.

8. La hipertemia sucede cuando la temperatura interna del cuerpo supera en varios grados la temperatura habitual del mismo (37 °C). Los síntomas de hipertermia incluyen: somnolencia, letargo, mareo, desmayos y un aumento de la temperatura interna del cuerpo.

Los efectos de la hipertermia incluyen:

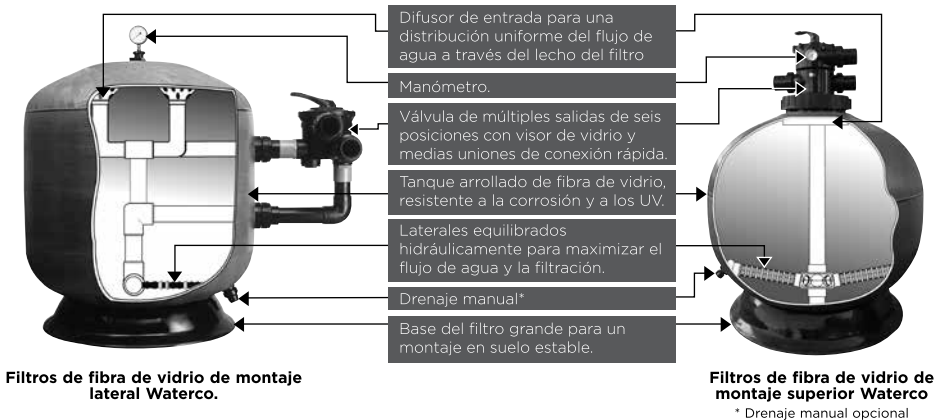
1. Incapacidad de detectar un peligro inminente.
2. Incapacidad de percibir el calor.
3. Incapacidad de reconocer la necesidad de salir del spa.
4. Incapacidad física de salir del spa.
5. Daños fatales en mujeres embarazadas.
6. Pérdida del conocimiento que puede provocar un ahogamiento.

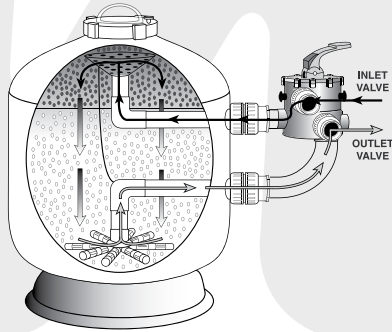
CONSERVE ESTAS INSTRUCCIONES

FILTROS DE FIBRA DE VIDRIO WATERCO

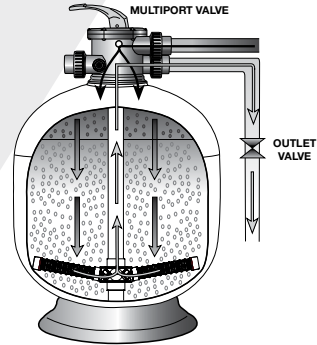
Los filtros de fibra de vidrio Waterco incorporan la más avanzada tecnología de enrollado de fibras de vidrio. Los recipientes de fibra de vidrio Waterco se componen de un revestimiento interno de fibra de vidrio reforzada con resina de poliéster arrollado con filamento de fibra de vidrio. La máquina de enrollado de filamentos controlada digitalmente envuelve sin errores fibras continuas de filamentos de fibra de vidrio de alta calidad con una tensión controlada del filamento para crear un recipiente de una sola pieza sin costuras de consistencia refinada y calidad superior.

No hay soldaduras o costuras o forros de tanques especiales que puedan corroerse o sufrir electrólisis.





Filtros de fibra de vidrio de montaje lateral Waterco.



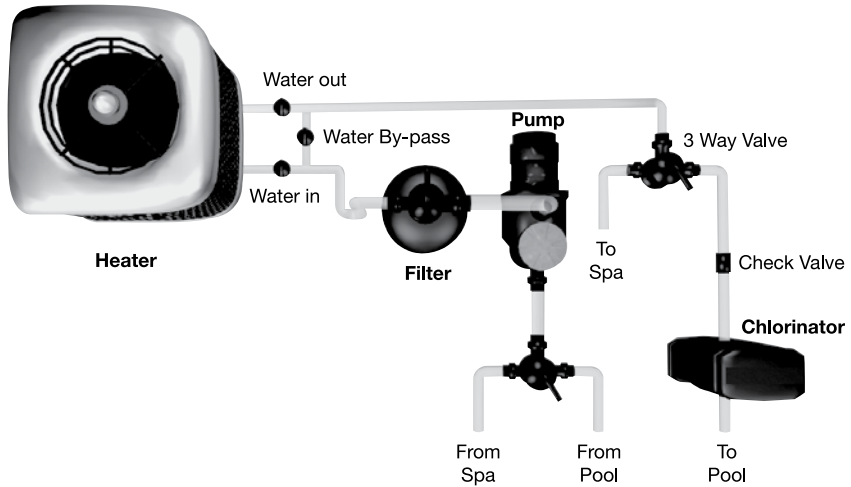
Filtros de fibra de vidrio de montaje superior Waterco

Filtrado

Los filtros de fibra de vidrio Waterco funcionan sobre la base de "filtración en profundidad", la suciedad es dirigida a través del lecho de filtrado y quedada atrapada en espacios minúsculo entre las partículas del medio de filtrado permitiendo que el agua filtrada pase a través de los laterales del filtro y salga por medio de la válvula de múltiples salidas del filtro.

INSTALACIÓN

1. Coloque el filtro tan cerca de la piscina / spa como sea posible.
2. Coloque el filtro de forma que esté a salvo de inundación, alejado de sumideros, canaletas, huecos del jardín, etc.
3. Coloque el filtro de forma que las conexiones de tuberías, la válvula de múltiples salidas y el drenaje de invierno sean cómodos y accesibles para su funcionamiento, mantenimiento e hibernación.
4. Asegúrese de que la etiqueta de cumplimiento esté cara arriba para facilitar la identificación.
5. El filtro debe colocarse en una losa de hormigón nivelada, un suelo muy firme o un equivalente. Asegúrese de que el suelo no se hundirá, evitando así esfuerzos de la tubería sujeta.
6. Asegúrese de que no hay movimientos del filtro durante el funcionamiento de la válvula de múltiples salidas.
7. Deje una holgura suficiente alrededor del filtro para permitir la inspección visual de todo el sistema.



Llenado del medio de filtrado

1. Antes de llenar el medio de filtrado en el recipiente del filtro, realice una comprobación visual de los laterales. Mire si hay laterales rotos o sueltos. Sustitúyalos si es necesario.
2. Para eliminar esfuerzos sobre los laterales, llene el recipiente del filtro hasta la mitad con agua para proporcionar un efecto de amortiguación cuando se vierte el medio de filtrado.
3. **(a) Filtros de fibra de vidrio de montaje superior** - Los filtros de fibra de vidrio de montaje superior se suministran con un localizador de plástico perforado, que centra el vástago y evita que el medio penetre en el tubo del vástago. Coloque el localizador de plástico perforado en el vástago central del filtro y vierta cuidadosamente el medio de filtrado por medio de los agujeros perforados en el localizador de plástico. Retire el localizador de plástico una vez haya finalizado.

NOTA: Si no se proporciona una plantilla o si se ha perdido, debe centrar el vástago y cubrir la abertura del vástago para evitar la no alineación y la entrada del medio en el tubo del vástago.

(b) Filtros de fibra de vidrio de montaje lateral (SM600) - Retire el difusor superior del tubo del difusor interno y coloque el tubo de liberación de aire flexible en el lateral, fuera de la trayectoria, dentro del recipiente del filtro. Cubra el tubo del difusor interno con la pantalla del medio de filtrado proporcionada para evitar que penetre el medio del filtro en el tubo. NO MUEVA EL TUBO DEL DIFUSOR ya que esto podría afectar a la integridad de la junta del mamparo.

NOTA : Las instrucciones anteriores no se aplican a filtros de fibra de vidrio de montaje lateral mayores que los filtros SM600. Cualquier medio de filtrado que entre en los difusores será eliminado durante el funcionamiento normal.

4. Lave todo el medio de filtrado y restos de las roscas y superficies de sellado del recipiente del filtro.
5. Lubrique la junta tórica o la junta estanca (tipo atornillada por debajo) MPV y rósquela en el filtro. El lubricante debe ser de base de silicio y no de base petroquímica.
6. Rosque la válvula de múltiples salidas o la cubierta superior sobre el tanque del filtro y apriete con la mano.

Sistema de tuberías

1. Compruebe que la presión del agua entrante está dentro de la presión de trabajo recomendada del filtro y asegúrese de que está instalada una válvula de limitación de presión si utiliza agua de la red o una bomba de alta presión.
2. Asegúrese de que está instalada una válvula de retención / de cierre si la bomba está instalada 50 mm / 20" por encima del nivel de agua.
3. Si el filtro está instalado por debajo del nivel del agua o conectado al agua de la red, deben instalarse válvulas de aislamiento en la entrada y la salida del filtro. Esto evitará flujo de agua durante cualquier mantenimiento de rutina.
4. Minimice la longitud de la tubería y el número de empalmes para minimizar restricciones del flujo de agua.
5. Conecte todas las tuberías a la válvula de múltiples salidas teniendo cuidado que todas las conexiones de tuberías estén encoladas y apretadas con seguridad para evitar pérdidas.
6. Asegúrese de que no se apliquen en exceso disolventes a los empalmes ya que podrían colarse en las juntas tóricas y crear problemas de sellado.
7. No apriete en exceso los empalmes o adaptadores.

Instalación de la válvula de múltiples salidas

Los filtros de fibra de vidrio de montaje superior se suministran o bien con una válvula de múltiples salidas atornillada o bien con una válvula de múltiples salidas embridada, ambas de montaje superior.

Los filtros de fibra de vidrio de montaje lateral se suministran con la opción de una válvula de múltiples salidas de montaje lateral con un kit de tuberías diseñado para ser conectado a las salidas laterales del filtro.

Cada válvula de múltiples salidas se suministra con tres uniones de tambor roscadas.

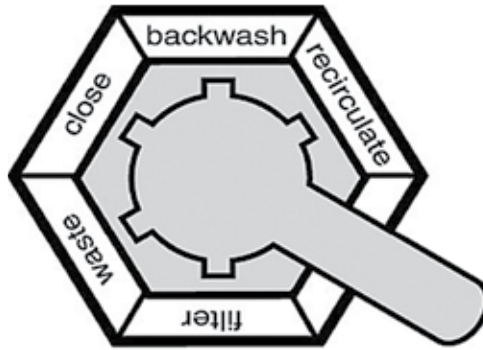
1. Compruebe que la parte superior del filtro no tiene medio de filtrado o restos y si hay una válvula de junta tórica, compruebe que la junta tórica de la válvula está en su sitio.
2. Compruebe la etiqueta de cada salida de la válvula y sitúe la válvula en consecuencia. La salida de la bomba debe estar conectada a la descarga de la bomba, la salida de evacuación debe estar conectada a la línea de evacuación y la salida de retorno debe estar conectada a la línea de retorno.
3. **Válvula de múltiples salidas atornillada de montaje superior** - Gire la válvula de múltiples salidas en la conexión roscada del recipiente del filtro.

Válvula de múltiples salidas embridada de montaje superior - Alinee la válvula con la parte superior de la brida del tanque. Coloque la abrazadera a medias sobre la brida de la válvula y la brida del tanque. Inserte los tornillos de la abrazadera y las tuercas en la abrazadera, asegurándose de que las tuercas están situadas en las ranuras del retenedor en las abrazaderas. Apriete los tornillos de la abrazadera firmemente y compruebe que la válvula y la abrazadera están correctamente ensamblados.

Válvula de múltiples salidas de montaje lateral - Alinee el kit de tuberías de la válvula de múltiples salidas con las salidas de conexión roscadas del filtro. Atornille las uniones de tambor del kit de tuberías en las salidas de conexión del filtro y apriete con la mano. No atornille en exceso las uniones de tambor ya que esto puede producir daños y anular la garantía.

4. Atornille las uniones de tambor de la válvula de múltiples salidas en las salidas de conexión roscadas de la válvula de múltiples salidas y apriete con la mano. La unión de tambor debe estar firmemente roscada en la válvula de múltiples salidas y no debe haber juego entre las roscas. No atornille en exceso las uniones de tambor ya que esto puede producir daños y anular la garantía.
5. Encole la tubería de PVC a las uniones de tambor y deje 24 horas para que la cola (disolvente) se asiente antes de poner en marcha el filtro.
6. Pruebe el filtro y compruebe si hay pérdidas alrededor de las roscas.

FUNCIONAMIENTO VÁLVULA MÚLTIPLES SALIDAS (4 y 6 vías)



1. Filtro - Posición de filtración.

El agua entrante desde el sistema de tuberías es dirigida automáticamente por la válvula de múltiples salidas hasta la parte superior del lecho de filtrado. A medida que el agua es bombeada a través del lecho de filtrado, la suciedad y los restos quedan atrapados por el lecho de filtrado. El agua filtrada es devuelta desde la parte inferior del recipiente del filtro, a través de la válvula de múltiples salidas y de vuelta a través del sistema de tuberías.

2. Retrolavado - Posición para la limpieza del medio de filtrado.

El flujo de agua es invertido por la válvula de múltiples salidas a través del lecho de filtrado de forma que este flujo de agua dirigido hacia la parte inferior del recipiente del filtro y atravesando el lecho de filtrado, descarga la suciedad y los restos previamente atrapados en la línea de evacuación.

3. Enjuague - Posición para la descarga del sistema del filtro.

El flujo de agua es dirigido por la válvula de múltiples salidas a través del lecho de filtrado y hacia fuera. Este proceso asienta en su sitio el lecho del medio de filtrado y asegura que cualquier suciedad o resto sea enjuagado del filtro, evitando el retorno de suciedad o restos a la piscina / spa.

NOTA: Esta posición no está disponible en válvulas de múltiples salidas de 4 vías.

4. Evacuación - Posición para puentear el lecho del filtro hasta la evacuación.

El flujo de agua es dirigido por la válvula de múltiples salidas directamente hacia la salida de retrolavado, puentear todo el lecho de filtrado. Esta posición de la válvula de múltiples salidas se utiliza para disminuir el nivel del agua o para aspirar agua con cargas elevadas de suciedad.

5. Recirculación - Posición para puentear el lecho de filtrado hacia la piscina / spa.

La válvula de múltiples salidas recircula el flujo de agua directamente de vuelta a la piscina / spa, puentear el filtro.

6. Cerrado - Posición para cerrar todo el flujo hacia el filtro.

La válvula de múltiples salidas puede cerrarse para permitir el mantenimiento de la válvula sin drenar el agua del filtro. Esta posición no debe utilizarse con la bomba en funcionamiento.

NOTA: Esta posición no está disponible en válvulas de múltiples salidas de 4 vías.

CAUTION

El accionamiento de la válvula de múltiples salidas o la selección del modo debe realizarse siempre con la bomba apagada.

PUESTA EN MARCHA INICIAL DEL FILTRO

Asegúrese de que haya la cantidad correcta de medio de filtrado en el recipiente del filtro y que todas las conexiones estén apretadas con la mano.

1. Presione el asa de la válvula de múltiples salidas y gire hasta la posición RETROLAVADO y abra la válvula de liberación de aire en el filtro o en la válvula de múltiples salidas.

NOTA: Para evitar daños en la junta de la válvula de control, presione siempre el asa antes de girar.

2. Conecte la bomba / Abra la válvula de entrada permitiendo que el recipiente del filtro se llene con agua.
NOTA: Si está instalada una bomba, conecte y desconecte la bomba, en vez de cerrar y abrir la válvula de entrada.

3. Una vez esté corriendo un flujo de agua uniforme a través de la línea de evacuación, cierre la válvula de liberación de aire y deje que la bomba funcione hasta que el agua de evacuación esté clara. Se recomienda un retrolavado inicial del filtro para eliminar cualquier impureza o partículas finas del medio de filtrado hasta que el visor de vidrio esté claro. Este proceso puede tardar hasta 3 minutos.

4. Apague la bomba, lleve la válvula de múltiples salidas a la posición de ENJUAGUE. Conecte la bomba / abra la válvula de entrada hasta que el agua en el visor de vidrio esté clara — aproximadamente 10 a 15 segundos.

5. Desconecte la bomba / cierre la válvula de entrada, ajuste la válvula de múltiples salidas a la posición FILTRO y conecte la bomba / abra la entrada. El filtro está ahora funcionando en su modo de filtrado normal.

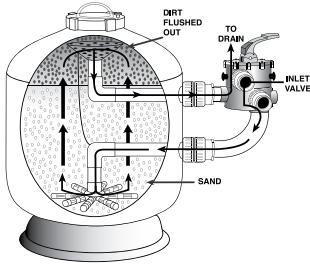
6. Ajuste la succión de la piscina y las válvulas de retorno para conseguir el flujo deseado. Compruebe si las tuberías y el filtro tienen pérdidas y apriete las conexiones, pernos y tuercas, según sea necesario.

7. Registre la lectura del manómetro (presión de puesta en marcha) durante el funcionamiento inicial. Después de un periodo de tiempo, la suciedad acumulada y los restos en el filtro causan resistencia en el flujo, y el flujo disminuye. La presión empezará a subir y el flujo de agua empezará a disminuir. Cuando la lectura del manómetro sea 50 kPa (7,2 psi) mayor que la presión de "Puesta en marcha" inicial, es tiempo de retrolavar (limpiar) el filtro (vea Retrolavado).

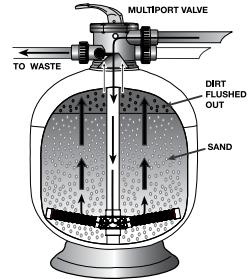
NOTA: Si el filtro está conectado al agua de la red, no es necesario registrar la presión de "Puesta en marcha", ya que la presión de la red tiende a fluctuar.

RETROLAVADO

La función del retrolavado es separar las partículas depositadas de los granos del medio de filtrado y descargarlos del lecho de filtrado. El retrolavado se consigue invirtiendo el flujo de agua a través del lecho de filtrado con un caudal elevado adecuado. Este caudal elevado expande el lecho de filtrado y el flujo de agua transporta los restos hasta la evacuación.



Filtros de fibra de vidrio de montaje lateral Waterco



Filtros de fibra de vidrio de montaje superior Waterco

Condiciones para el retrolavado:

El tiempo de retrolavado se determina mediante las siguientes condiciones:

1. El caudal a través del lecho de filtrado disminuye hasta que es insuficiente para cumplir la demanda.
2. La eficacia de eliminación del lecho de filtrado disminuye hasta el punto en el cual la calidad del agua del filtro se deteriora o provoca que la suciedad o los restos vuelvan a la piscina.
3. Cuando la lectura del manómetro es 50 kPa (7,2 psi) mayor que la presión de puesta en marcha.
4. Si el filtro está conectado al agua de la red, la subida de presión no es un indicador preciso ya que la presión de la red tiende a fluctuar. Lo mejor es fiarse del caudal real.

Importancia del retrolavado.

La importancia del retrolavado no puede dejar de recalcar. Los medios de filtrado densos pueden quedar "compactados" sin un retrolavado suficientemente adecuado y frecuente. Los restos quedarán atrapados y crearán canales en el lecho de filtrado. Esto provocará que el lecho de filtrado se agote tempranamente. Más aún, si los restos no son descargados de los granos del medio, el lecho de filtrado se ensuciará cada vez más con el tiempo hasta que falle la operación de filtrado.

Instrucciones de retrolavado:

1. Desconecte la bomba / Cierre la válvula de entrada.
2. Libere la presión del filtro aflojando la válvula de liberación de presión hasta que la aguja del manómetro caiga hasta cero 0 PSI.
3. Vuelva a apretar la válvula de liberación de presión.
4. Pulse y gire el asa 180° hasta la posición de RETROLAVADO.
En la posición de retrolavado, el flujo de agua se invierte automáticamente a través del filtro de forma que es dirigido hacia la parte inferior del recipiente del filtro, atravesando el lecho de filtrado, descargando la suciedad y los restos previamente atrapados en la línea de evacuación.
5. Conecte la bomba / Abra la válvula de entrada. El agua de retrolavado fluirá hacia fuera a través de la tubería de drenaje del lecho de filtrado.
6. Cuando el agua de retrolavado en el visor de vidrio aparezca clara, desconecte la bomba / cierre la válvula de entrada.
7. Pulse y gire el asa hasta la posición de ENJUAGUE.
En la posición de ENJUAGUE el flujo de agua es dirigido a través del lecho de filtrado como en el modo de filtrado normal pero hacia fuera por medio de la salida de evacuación. Este proceso asienta en su sitio el lecho del medio de filtrado y asegura que cualquier suciedad o resto sea enjuagado del filtro, evitando un posible retorno a la piscina.
8. Conecte la bomba / Abra la válvula de entrada. El agua de enjuague fluirá hacia fuera a través de la tubería de drenaje.
9. Cuando al agua de enjuague en el visor de vidrio aparezca clara. Desconecte la bomba / Cierre la válvula de entrada.
10. Pulse y gire el asa hasta la posición del filtro y conecte la bomba / abra la válvula de entrada para un funcionamiento normal.

MANTENIMIENTO

El medio de filtrado sólo necesita ser sustituido una vez haya alcanzado los límites de su vida útil prevista. Consulte la información de producto del medio de filtrado en particular utilizado.

Para asegurar la máxima vida útil del medio de filtro seleccionado, siga los siguientes procedimientos:

1. Retrolave el filtro regularmente de acuerdo con las instrucciones establecidas en "Retrolavado".
2. Consulte las especificaciones del medio de filtrado utilizado y ponga en práctica procedimientos de regeneración en consecuencia.
3. Mantenga un equilibrio químico correcto del agua de su piscina / spa. El equilibrio químico del agua es una relación entre su pH, la alcalinidad total, la dureza de calcio y la temperatura del agua. El agua debe mantenerse en todo momento como sigue:

NIVEL DE PH ENTRE	: 7.2 y 7.8.
ALCALINIDAD TOTAL	: ENTRE 80 y 150 ppm.
DUREZA DE CALCIO	: ENTRE 150 y 300 ppm.

Y dentro de estas tolerancias debe estar equilibrada según el Índice de Saturación Langelier dentro de un rango de -0,2 a +0,2.

NOTA: Están disponibles kits de prueba para probar el agua usted mismo o alternativamente llevar una muestra del agua a una tienda especializada en piscinas y spa.

4. Los suministros de agua de la red y de agua rural deben estar controlados. La saturación (vida) en agua de la red o la ola (agua rural) variará dependiendo de la calidad del agua.
5. Para evitar daños en la bomba y en el filtro y para que el sistema funcione adecuadamente, limpie el depurador de la bomba y las cestas espumadoras regularmente.
6. Sustituya el manómetro si se observan lecturas defectuosas.

HIBERNACIÓN

Deben llevarse a cabo procedimientos de hibernación adecuados para proteger el filtro en climas fríos [temperaturas por debajo del punto de congelación]

1. Desconecte la bomba / Cierre la válvula de entrada,
2. Abra la válvula de liberación de aire y mueva el asa MVP hasta la posición de hibernación [entre Filtrado y Evacuación]. Esto permite que el aire pase a través de todas las salidas.
3. Retire cualquier tapón de drenaje del filtro.
4. Drene el agua de las tuberías.

GUÍA DE SOLUCIÓN DE PROBLEMAS

<p>Por encima de la fuerza normal o excesiva para accionar la válvula de múltiples salidas</p>	<p>Ranurado o atasco con materias extrañas o restos. Si esta condición persiste después del enjuague, desmonte la válvula para eliminar la suciedad o los restos. Si la válvula continua funcionando puede producirse una situación de pérdida de sellado (daños en la junta reticulada). Esto provocará pérdidas de agua en la línea de retrolavado o un filtrado ineficaz.</p> <p>Nota: Se recomienda un protector para el filtro durante la limpieza de la piscina, para evitar que se aloje suciedad y restos entre la junta reticulada y el cuerpo MVP.</p>
<p>El agua no es transparente.</p>	<ol style="list-style-type: none"> 1. Tiempo de filtrado insuficiente. 2. Mucha gente bañándose o carga de suciedad elevada. La piscina debe flocularse y limpiarse directamente hacia la evacuación. 3. El filtro está sucio, necesita un retrolavado minucioso. 4. Pérdida de aire en la succión (línea afluente). 5. Álabes del impulsor de la bomba bloqueados. 6. Suministro de agua insuficiente (bajo nivel de agua, bloqueo). 7. Bomba no cebada. 8. Química de agua incorrecta. 9. Flujo de agua excesivo para el tamaño del filtro. Material extraño o restos forzados a través del lecho del filtro y a través del drenaje inferior. 10. Otras restricciones incluyen (limpiadores de succión de piscinas) resistencia desde otros equipos en línea tales como depuradores. La operativa del filtro en recirculación determinará si la restricción está en el filtro. 11. Medio de filtrado obstruido o acanalado. Realizar un retrolavado minucioso o regeneración
<p>Medio de filtrado descargado hacia la evacuación durante el retrolavado.</p>	<ol style="list-style-type: none"> 1. Cantidad excesiva de medio en el filtro. 2. Flujo de agua excesivo. 3. Tamaño o calidad incorrectos del medio de filtrado.
<p>El medio de filtrado vuelve a la piscina / spa</p>	<ol style="list-style-type: none"> 1. El filtro está en recirculación. 2. Verificar que es el medio de filtrado y no de otra fuente. 3. Daños en los laterales debajo del drenaje. 4. Conexiones dañadas o incorrectas en la válvula de múltiples salidas. 5. Tamaño o calidad incorrectos del medio de filtrado.
<p>Ciclos de filtración cortos</p>	<ol style="list-style-type: none"> 1. Presencia de algas o acumulación de incrustación. 2. Comprobar la química del agua. 3. Flujo de agua excesivo, comprobar el tamaño de la bomba / flujo de agua de la red. 4. Filtro bloqueado por calcio etc., limpiar el medio de filtrado. 5. Retrolavado ineficaz, realice un retrolavado minucioso.
<p>Presión elevada en la puesta en marcha.</p>	<ol style="list-style-type: none"> 1. Globo pequeño montado en la piscina / spa. 2. Válvula parcialmente cerrada en la línea de retorno. 3. El tamaño de la bomba es demasiado grande para el filtro.

GARANTÍA

Consulte los términos y condiciones de la garantía de Waterco.

OFFICES - NORTH AMERICA

WATERCO (USA) INC
Augusta, Georgia, USA
Tel: +1 706 793 7291

WATERCO CANADA
Boucherville, Quebec, Canada
Tel: +1 450 748 1421

OFFICES - OVERSEAS

NSW - SYDNEY
(HEAD OFFICE)
Tel: +61 2 9898 8600

WATERCO (EUROPE) LIMITED
Sittingbourne, Kent, UK
Tel: +44 (0) 1795 521 733

WATERCO (NZ) LIMITED
Auckland, New Zealand
Tel: +64 9 525 7570

WATERCO © LIMITED
Guangzhou, China
Tel: +86 20 3222 2180

WATERCO (FAR EAST) SDN BHD
Selangor, Malaysia
Tel: +60 3 6145 6000

PT WATERCO INDONESIA
Jakarta, Indonesia
Tel: +62 21 4585 1481

WATERCO SINGAPORE INTL PTE LTD
Nehsons Building, Singapore
Tel: +65 6344 2378

www.waterco.com

This web site address will enable you to select the appropriate country website.
Cette adresse Web vous permettra de sélectionner le site Web du pays concerné
Este sitio web le permitirá seleccionar el sitio web adecuado para su país.

WATERCO

Waterco Limited ABN 62 002 070 733

