

Riptide

Pool Vacuum System

SL Model



800-735-3029

Sales@riptidevac.com

Understanding Filter Bag Options

There are several different bags available, the hole size in the cloth is measured in microns, the higher the number the larger the hole that is in the filtering cloth. Bags are available in 25,60,75,100,200 and 400 micron. There is also a heavy net bag available, the heavy net bag is the only one that will work for a pool with algae. It will be necessary to experiment with different bags to find the best one for your situation.

- **A finer bag will vacuum slower and plug easier.**
- **A plugged bag can't vacuum at all and will push debris away from the vacuum.**
- **Algae will plug all bags except the heavy duty net bag.**
- **Algae will need to be vacuumed to waste (with a pump) after removing the large debris with the heavy duty net bag.**

Available Bags:

GRAY RING Heavy Duty Net Bag (no filter cloth) (3/16 inch holes) This is the only bag that will work with algae, it removes the large debris and allows the algae and fine debris to pass through so it can easily be vacuumed to waste without clogging your vacuum hose with the leaves and large debris.

BLACK RING Coarse (400 Micron) Leaves and large debris.

YELLOW RING Medium (200 Micron) Leaves and general debris

ORANGE RING Standard (100 Micron) General debris and sand.

RED RING Fountain bag (100 Micron) This bag uses the same filter cloth as the standard bag but it is short enough that it won't drag on the floor of the pool when vacuuming in shallow water or when vacuuming large amounts of debris like sand.

GREEN RING Ultra Fine (75 Micron) Fine sand and granular particles.

BLUE RING Extreme Fine (60 Micron) Very fine particles, some pollen.

PURPLE RING (25 Micron) This is a true dust bag it will remove most pollen, black dirt, cement and other small particles. It may plug and need to be emptied even though it looks like there is very little debris in the bag.

Plugged Bag/Reduced Suction

Reduced suction occurs when a bag becomes clogged, in this scenario the bag will have a lot of pressure and appear hard. When the bag is clogged water can't pass through it so water moving into the vacuum head is reduced, when a bag becomes totally clogged water will be forced backward out through the intake so debris will be pushed away from the vacuum, when this occurs you either need to empty the bag and/or switch to a coarser bag.

Attaching/Removing a filter Bag

The bags are very easy to attach when done properly, if you don't find yourself attaching the bags effortlessly with the following instructions, please visit our website to view an instructional video.

Scan here to watch video

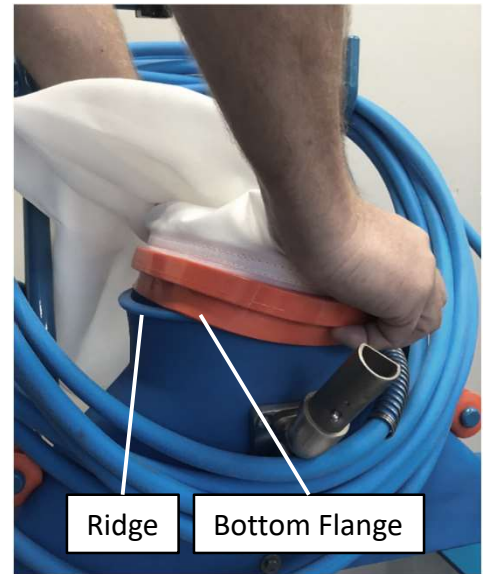
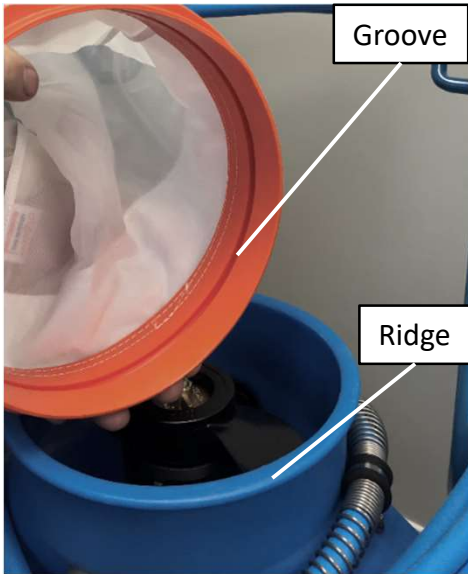


The groove in the bag ring snaps onto the ridge on the vacuum.

Note: Do not put the orange ring below the ridge.

Starting on the opposite side from where you are standing, snap the ridge into the groove.

Slide your hands back to the center of the ring and push down, this will bend the ring in the middle and the bottom flange will stretch over the ridge.



Keep pushing down until the bottom flange stretches over the ridge and snaps on.

PUSH DOWN ON CENTER OF RING.



Removing the bag

Put your two thumbs together and push on the top flange, place your fingers under the bottom flange and **TWIST THE FLANGE**, do not pull up, keep twisting the flange until the bag releases from the ridge on the vacuum head.

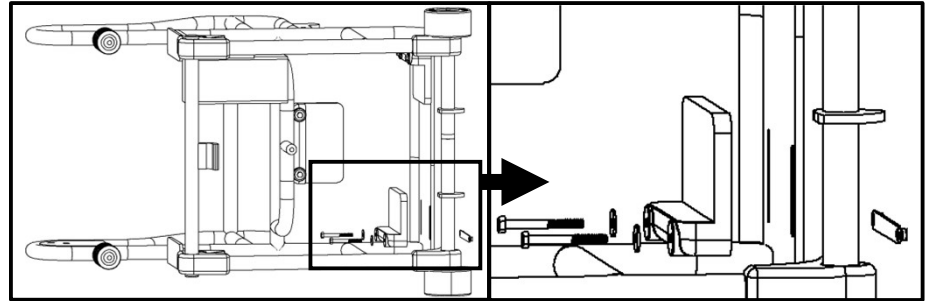
TWIST, DON'T PULL UP AND THE BAG WILL RELEASE.



Cart Assembly Instructions

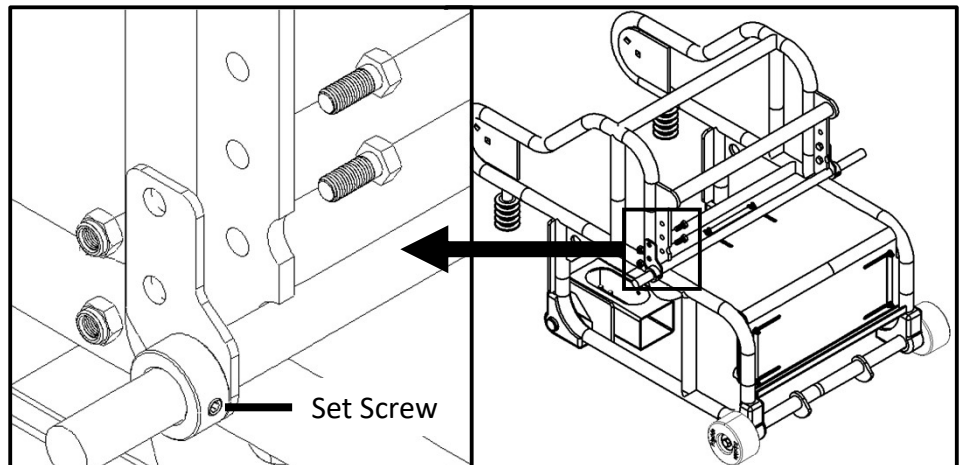
Step 1 Install Battery Pads

1. Lay the cart frame on its side.
2. Assemble the three orange battery pads onto the cart as shown.
3. Before tightening select a battery. (See the section on battery selection.)
4. **If you are using a battery larger than a group 27 don't use the bottom pads**



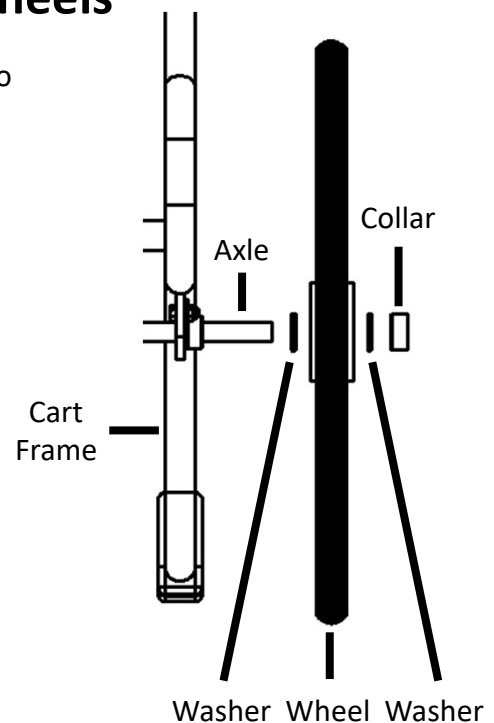
Step 2 Install The Axle

1. Slide both axle hangars onto the axle.
2. Bolt the axle hangars onto the cart (bolt heads must be toward the inside of the cart and the nuts on the outside.)
3. Tighten the set screw to keep the axle from spinning in the hangar.



Step 3 Install The Wheels

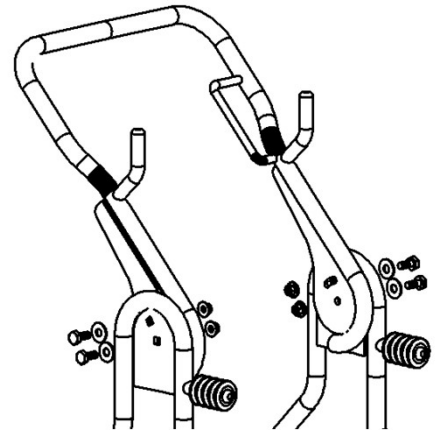
1. Install one washer onto each end of the axle and slide it up to the axle hangar.
2. Apply anti-seize (included) to the ends of the axle.
3. Install the wheels onto the axle.
4. Install another washer onto each end of the axle.
5. Install the collar.
6. Tighten the set screw on the collar very tightly to ensure the wheel doesn't fall off.



Cart Assembly Instructions (continued)

Step 4 Install The Handlebar

1. Insert the bolts with the heads and washers on the outside as shown. The nuts go on the inside with no washers.
2. Before Tightening see the section on battery selection, the handlebar height is adjustable which allows you to achieve a well balanced cart with any battery.
3. When tightening, hold the nut and turn the bolt, (turning the nut will damage the powder coating.)



Installing the Cord Clip

The cord clip will be installed centered on the handlebar, this is the only place the clip will function properly because it relies on downward pressure.

There is an T20 Torx bit screwdriver included in the Diagnostic/Tool kit, use it to tighten the six screws on the Cord Clip.



Before completely tightening the six screws rotate the cord clip so there is some space between the spring and the coil of cord as shown.

To attach/release the plug from the cord clip, lift the cord to 90 degrees as shown.

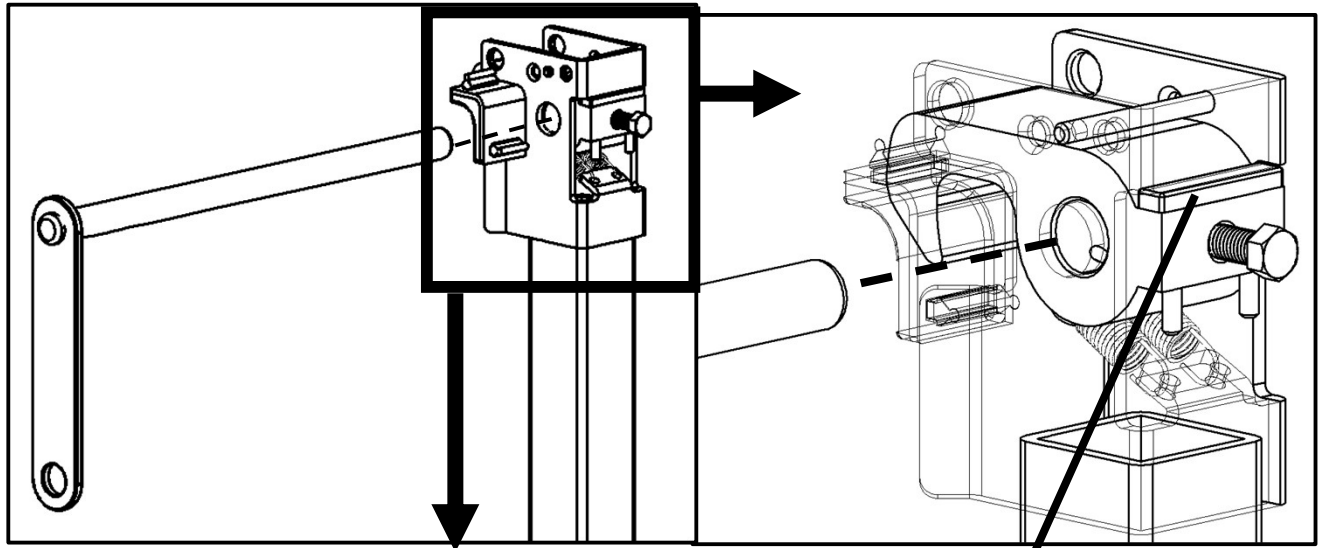


Transport Rack Assembly Instructions

Step 1 Attach Release Handle

1. Install the orange rod through the black bracket and orange dog as shown. The end of the rod must stick all the way through the black bracket $\frac{1}{4}$ to $\frac{1}{2}$ inch.
2. The Black Bumper must be fully seated into the orange dog when the release handle is installed.
3. Tighten the bolt. (It must be very tight.)

Note: The rod can be installed from either side it can also be rotated to the top so you will push it to release.



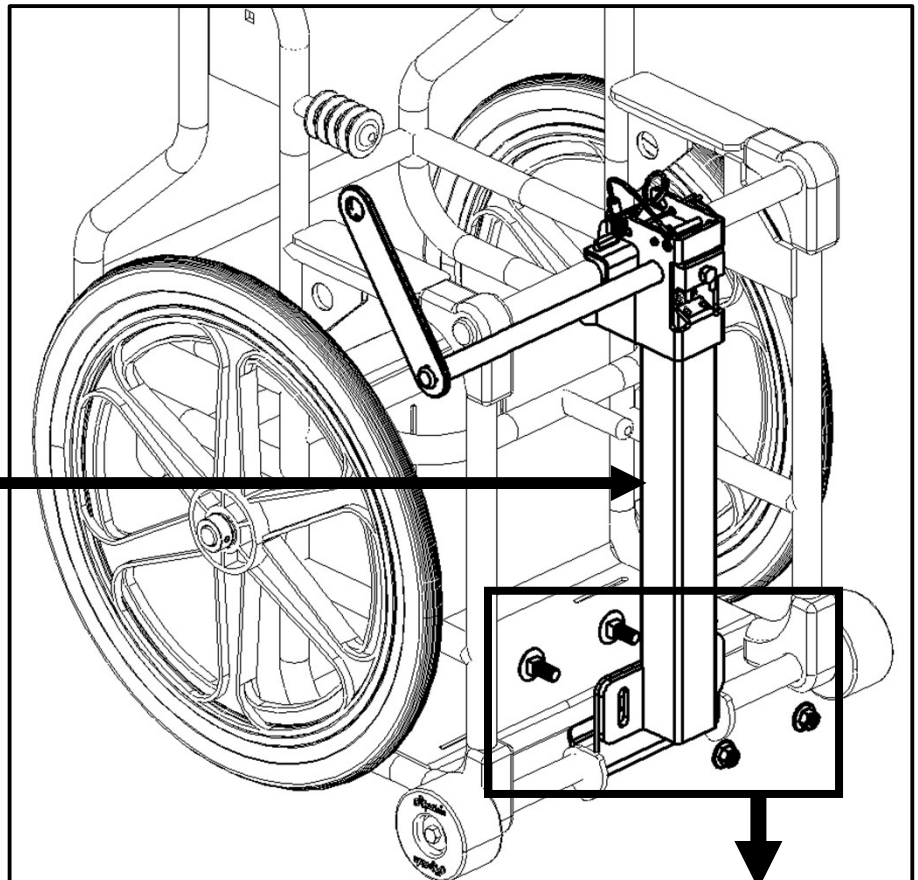
Black rubber bumper must be fully seated into the orange dog

This bolt must be very tight

Step 2 Attach Bottom Hook Bracket

1. Latch the Transport Rack onto the cart.
2. Adjust the bottom hook bracket tight to the bottom rod on the cart, hold in place as you tighten the bolts.
3. Tighten nut #1 first and nut #2 second.
4. Make sure the carriage bolts are very tight.

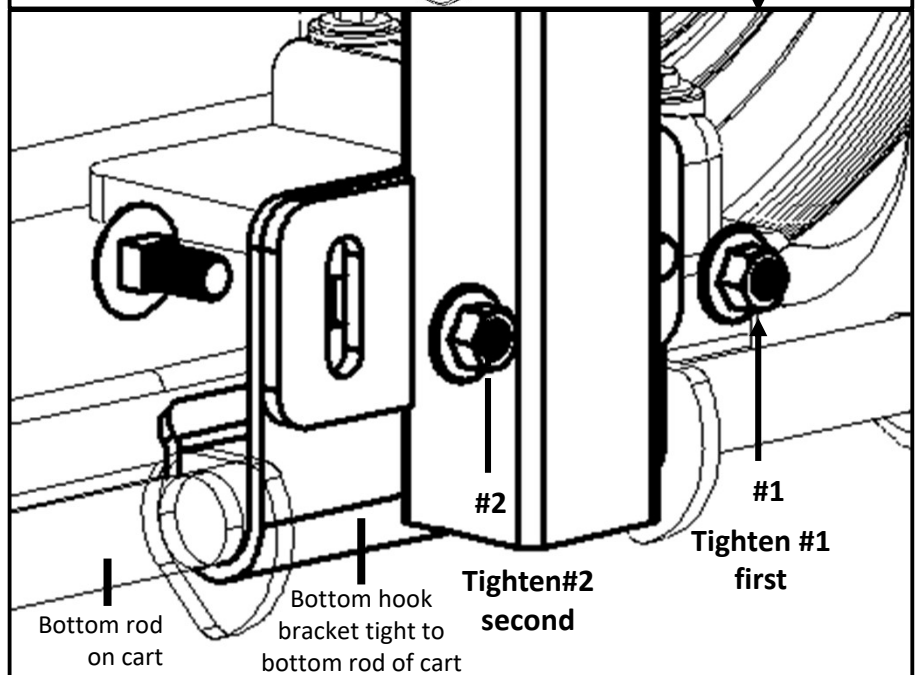
Hang the transport rack onto the cart as shown.



Adjust the bottom hook bracket tight to the bottom rod on the cart.

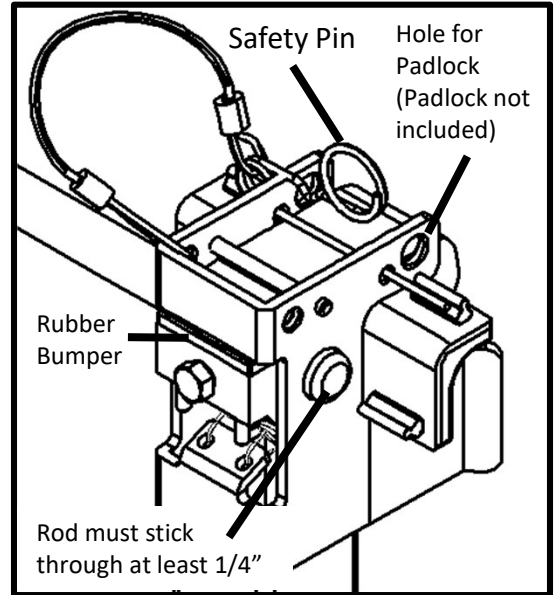
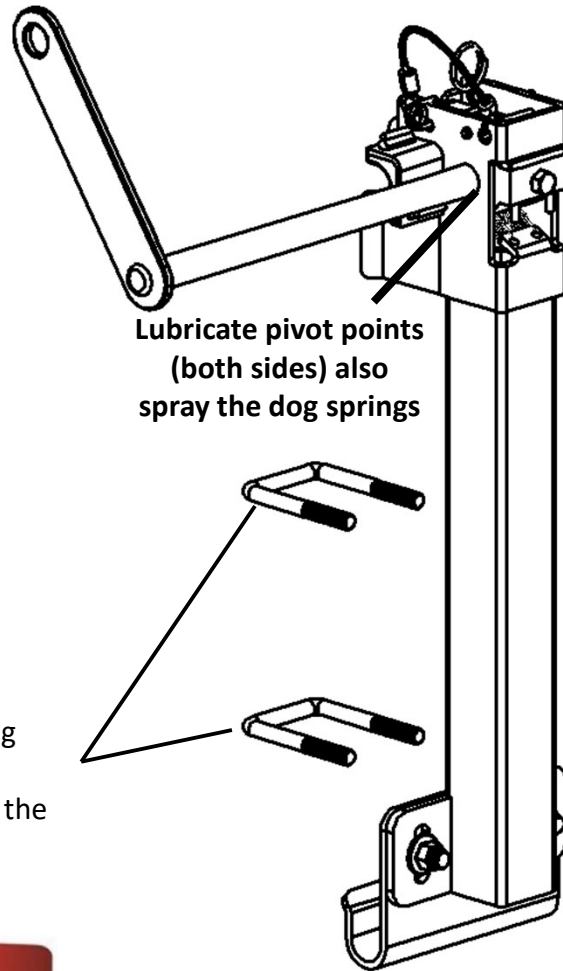
Tighten Nut #1 first.

Tighten Nut#2 second.

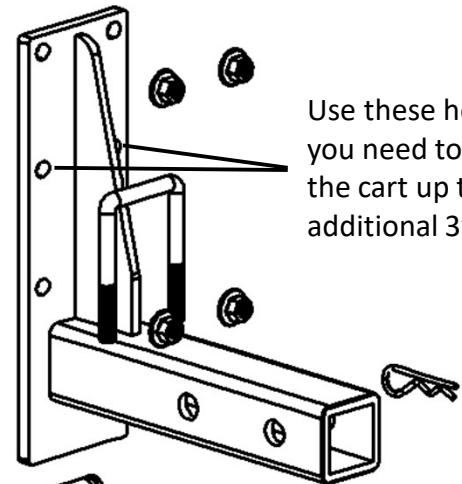
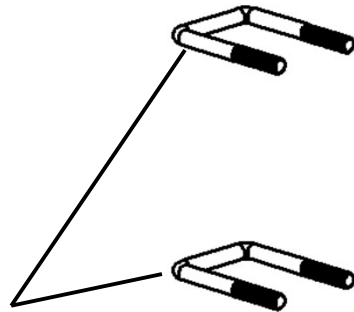


Transport Rack Assembly Instructions (Continued)

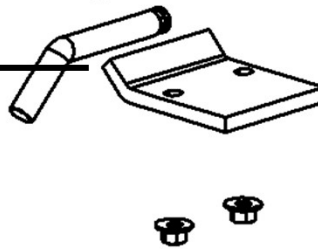
Step 3 Assemble The Rest of The Transport Rack



U-bolts for adjusting how high the cart wheels will ride off the ground



Anti Wobble Plate (eliminates movement between your hitch receiver and transport rack.)



Fluid film is a great product to lubricate and prevent rust on your transport rack. If you spray the rack when it is new and every couple of months from then on it will stay rust free. It can be purchased online or at some auto parts stores.

Keep the pivot points lubricated.

Battery Selection

Choosing the right type and size battery for your needs is essential, you must use a **DEEP CYCLE** battery not a starting battery. We recommend a group 27 (this is the size of the battery) you can expect 5 to 6 hours of run time with this battery. **Note: If you select a battery larger than a group 27 you must remove the bottom orange pads to ensure the terminals don't hit the frame.**

Deep cycle batteries should be used all day and charged every night with a good automatic battery charger capable of delivering at least a 10 amp charge to provide the longest possible life.

It's important to select a battery that doesn't leak acid when it is laid on it's side.

It is important to use a wrench when installing a battery, the terminals must be very tight.

Battery Charger Selection

You will need a 12 volt automatic battery charger that will deliver at least 10 amps to the battery. **DO NOT USE A TRICKLE CHARGER.** A trickle charger will not fully charge the battery over night.

Load Testing the Battery

Included in your diagnostic/tool kit

This simple tool will determine if your battery is good or bad within 10 seconds, it is the only test we know of that will give absolute and conclusive test results.

Check your battery anytime you feel your Riptide isn't functioning at full power.

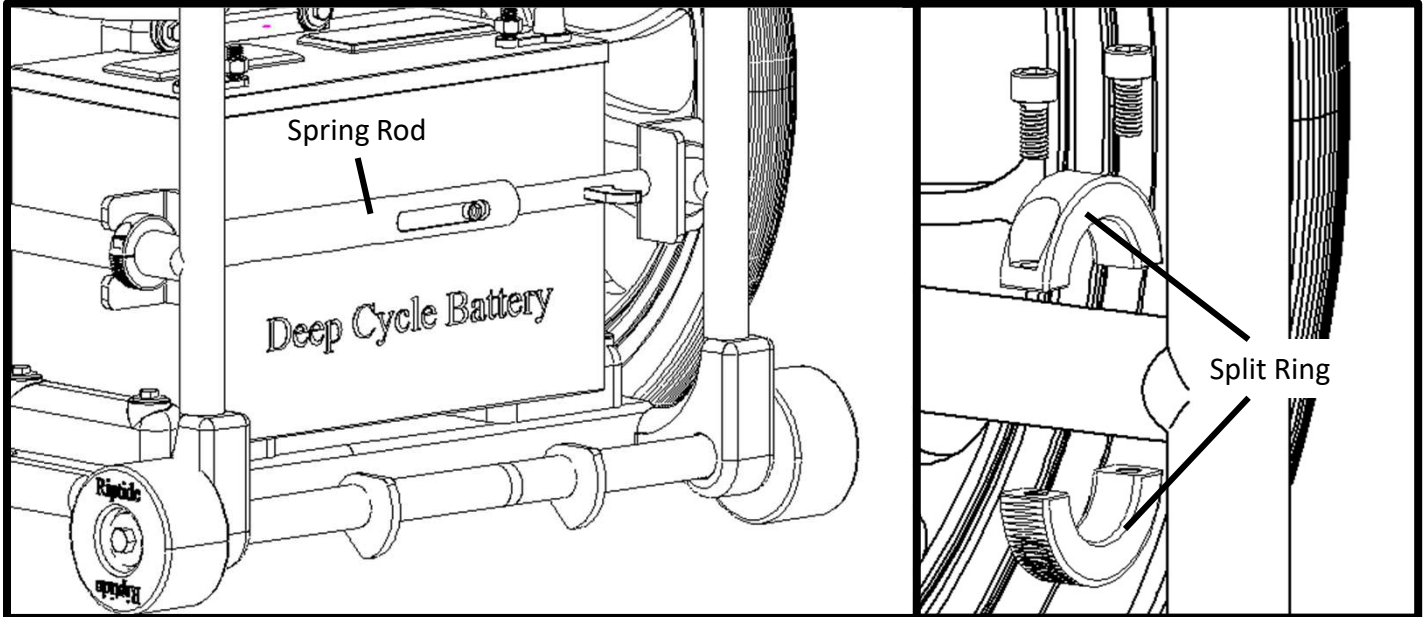
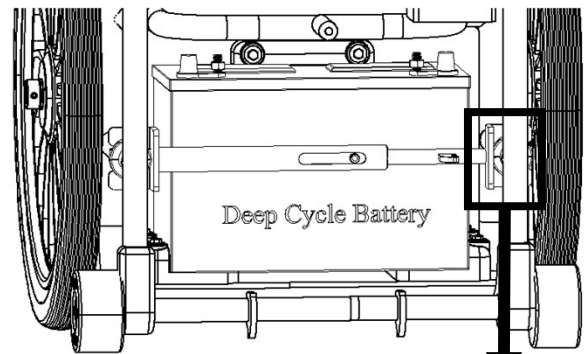
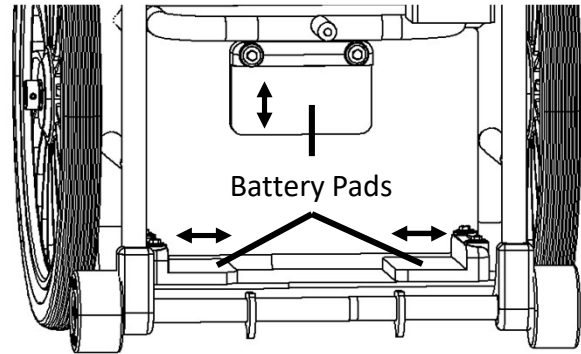
This is the only tester that will be needed to determine if your battery is in good condition.

Fig 1



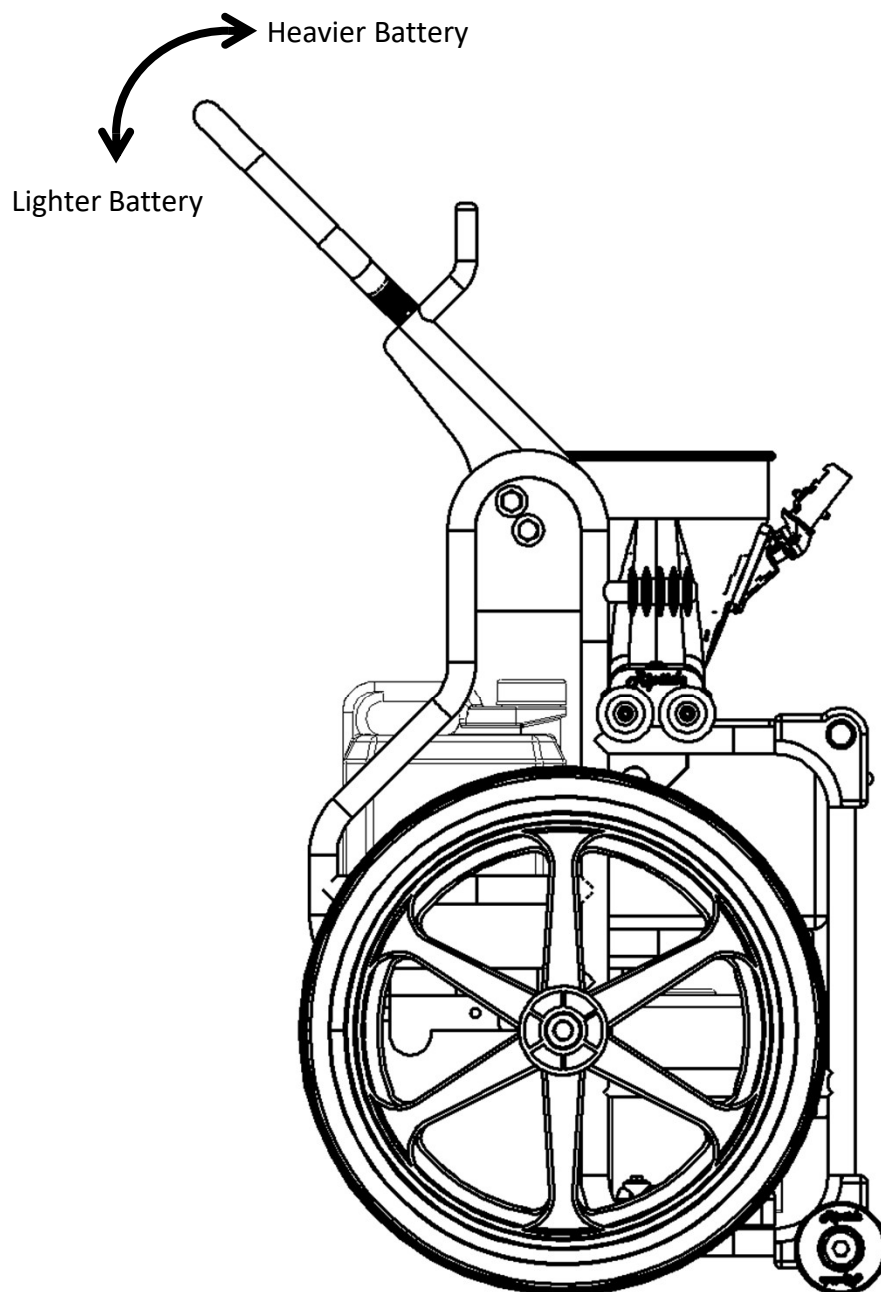
Adjusting the Battery Compartment

1. Before purchasing a battery, lay it on its side to ensure it doesn't leak acid.
2. After selecting an appropriate battery for your needs slide it into the battery compartment. (See battery selection previous page)
3. Adjust the orange battery pads tight to the sides of the battery and tighten the bolts.
4. Adjust the top orange battery pad to hold the battery down and tighten the bolts
5. With the battery in place, install the split rings and the spring rod, adjust the split rings to hold the rod tight to the battery.
6. Attach the battery terminal to the battery. The red wire must attach to the (+ Positive) and the black wire attaches to the (- negative) terminal.



Adjusting the Handlebar height To balance the cart

1. Install the battery.
2. load the cart with everything you will normally carry.
3. Adjust the handlebar to achieve a comfortable height/balance.



Maintenance

- Clean and tighten battery terminals as needed
- Clean plug contacts on the cart and the cord.
- Clean under the impeller. (see below)

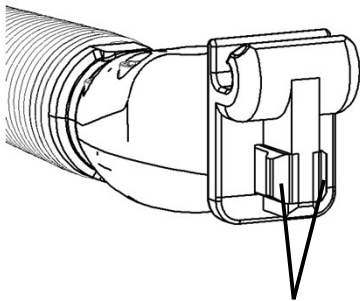
Cleaning the Plug Contacts

The plug is designed to provide problem free long term use but it will be necessary to clean the contacts periodically.

The plug on the end of the cord is open and can easily be cleaned with a typical stainless steel wire brush. (Fig1)

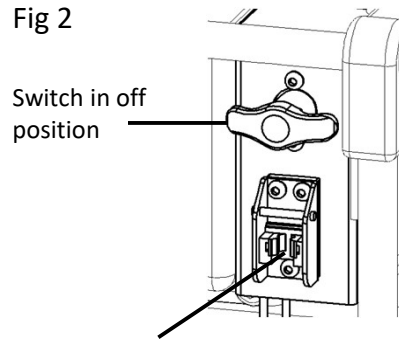
The contacts on the control panel are also open for easy cleaning, a common round wire brush designed for cleaning pipes is perfect for this job. (Fig 2) Make sure the switch is in the off position.

Fig1



Keep Contacts clean on both sides

Fig 2



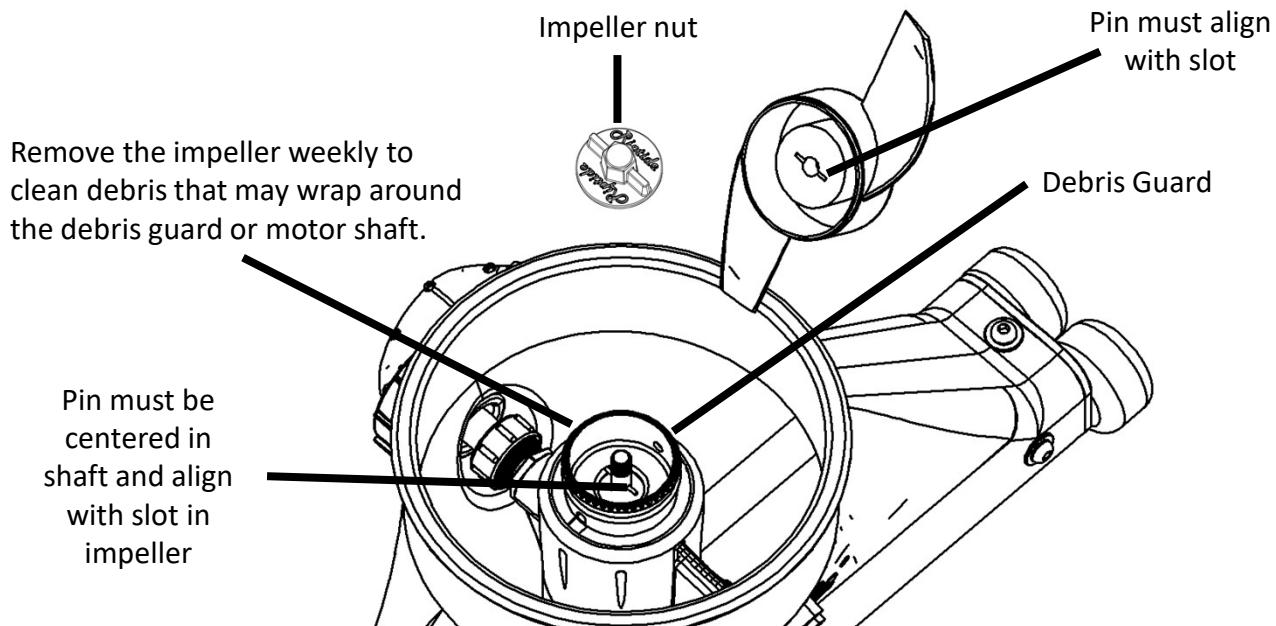
Switch in off position

Clean contacts with a round wire brush. Insert the brush from the bottom

Clean under the impeller

Your Riptide is equipped with our proprietary Debris Guard. The function of the Debris Guard is to protect the shaft seals of the motor which can be damaged from debris wrapping on the motor shaft.

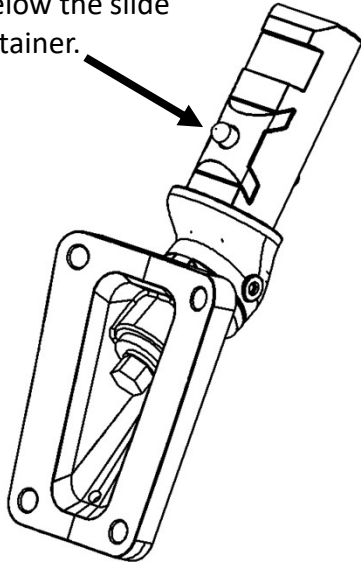
The impeller pin must be centered in the shaft and it must align with the slot in the impeller when the impeller is installed.



Steering Knuckle

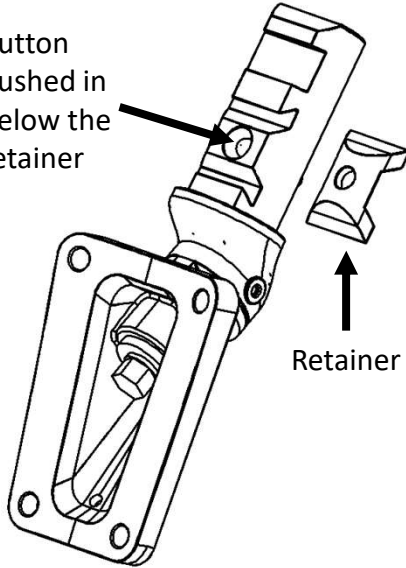
Removing the pole pins for replacement

Use a tool (allen key, screwdriver, etc.) to push in the button below the slide retainer.



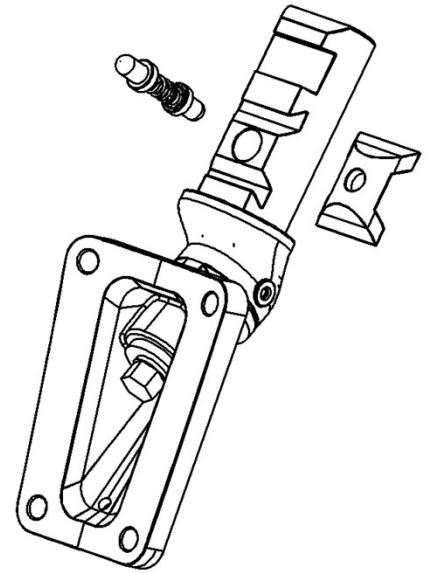
Remove the slide retainer

Button pushed in below the retainer



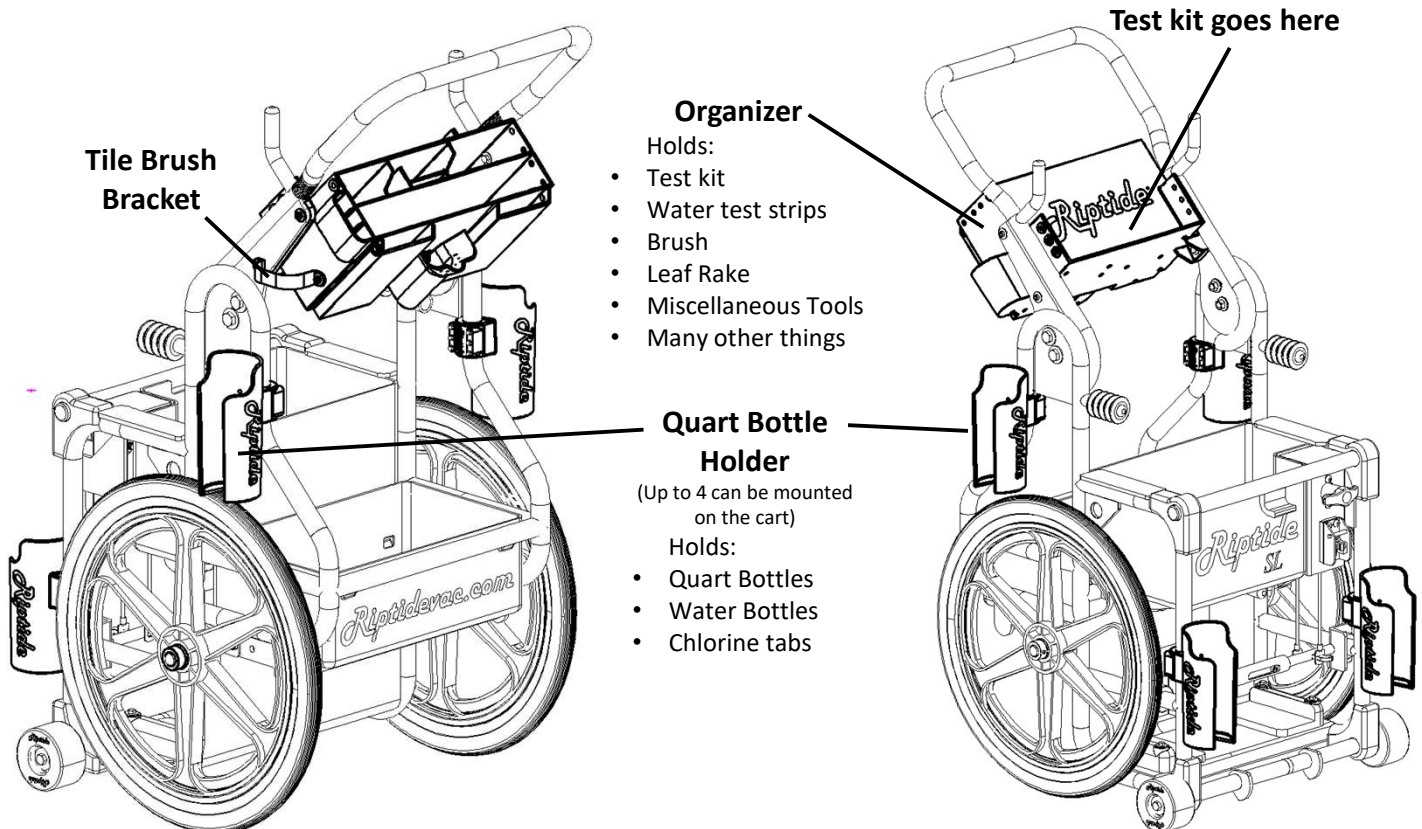
Retainer

Remove the pole pins



Accessories

(Sold Separately)



Tile Brush Bracket

Organizer

Holds:

- Test kit
- Water test strips
- Brush
- Leaf Rake
- Miscellaneous Tools
- Many other things

Test kit goes here

Quart Bottle Holder

(Up to 4 can be mounted on the cart)

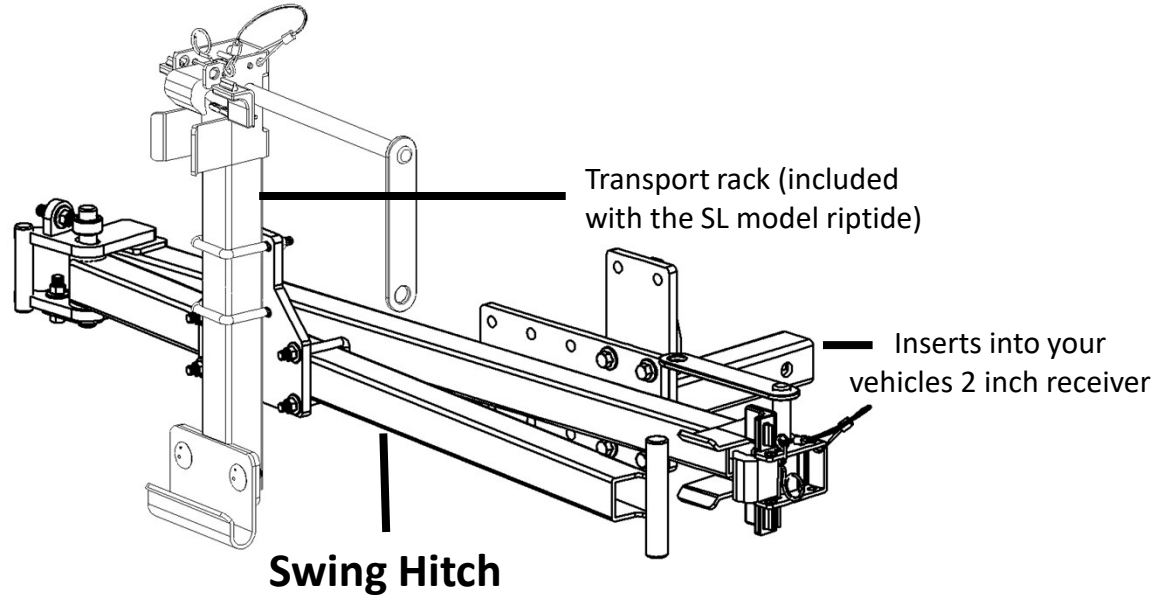
Holds:

- Quart Bottles
- Water Bottles
- Chlorine tabs

Accessories

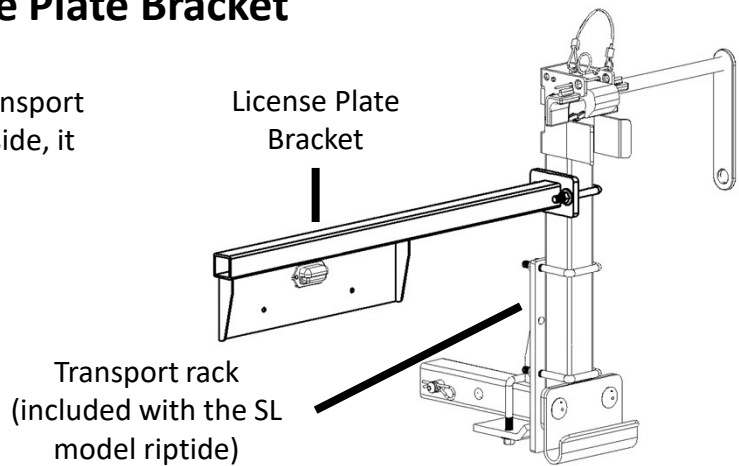
(Sold Separately)

The Swing hitch is a device that allow the Riptide to be left in the transport rack and swung out of the way to allow access the bed of your truck or van. It also allows the transport rack to be offset which is very helpful when mounting on a van because it allows unimpeded use of the active door and it can be swung out of the way to gain access through both doors.



License Plate Bracket

Our license plate bracket attaches to the transport rack and moves the license plate off to the side, it includes a light but no wiring.



Battery Box

Our battery box will hold a 35 amp hour battery. It's a perfect solution for yards that don't have access for the cart.

