

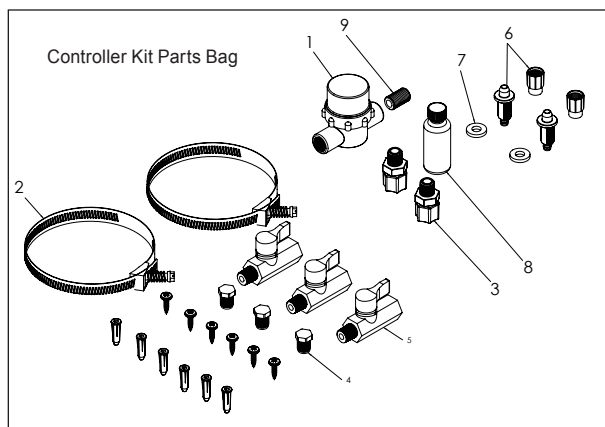
COMMERCIAL INTELLICHEM® CHEMICAL CONTROLLER REPLACEMENT PARTS

| Item | Part No. | Description |
|------|----------|-------------|
|------|----------|-------------|

| INTELLICHEM CONTROLLER REPLACEMENT PARTS | | |
|--|----------|---|
| 1 | 523146 | Top Half (Lid w/overlay and wiring diagram) |
| 2 | 523004Z | Controller Circuit Board |
| 3 | 8520031Z | Circuit Breaker |
| | 523228 | Protocol Adapter |
| | 523117 | Transceiver Case |
| 4 | 521467Z | Enclosure Mounting Brackets |
| 5 | 521468Z | Strain Relief Kit |
| 6 | 521335Z | Transformer with Mounting Plate |

| INTELLICHEM FLOW CELL REPLACEMENT PARTS | | |
|---|-----------|---------------------------------|
| 1 | 522186 | pH Sensor (1-year warranty) |
| 2 | 522187 | ORP Sensor (1-year warranty) |
| 3 | 754000310 | Flow Cell with Flow Switch |
| 4 | 521342Z | Parts Bag |
| 5 | 754000440 | Flow Switch with Magnet |
| | 754000410 | Magnet for Flow Switch |
| | 522623 | External Flow Switch Kit, 3ft. |
| | 522624 | External Flow Switch Kit, 10ft. |
| 6 | 744000290 | Cable for pH Sensor, 3 ft. |
| 7 | 744000360 | Cable for ORP Sensor 3 ft. |
| 8 | 754000350 | O-Ring for Flow Jar |
| 9 | 754000340 | Jar for Flow Cell |

| CONTROLLER KIT PARTS BAG CONTENTS | | |
|-----------------------------------|------------|-----------------------------------|
| 1 | 522010Z | Inline Filter |
| 2 | 522347Z | Bypass Clamp (replaces R172034) |
| 3 | 606000100Z | Fitting 3/8" Tube x 1/4" NPT |
| 4 | 620000040Z | Plug 1/4" NPT |
| 5 | 622000080Z | Ball Valve 1/4" NPT |
| 6 | R172032Z | Fitting 3/8" Tube to Bypass Clamp |
| 7 | R172033Z | Rubber Gasket for Bypass Clamp |
| 8 | R172036Z | O-Ring Lubricant |
| 9 | 620000130Z | Nipple 1/4" NPT |

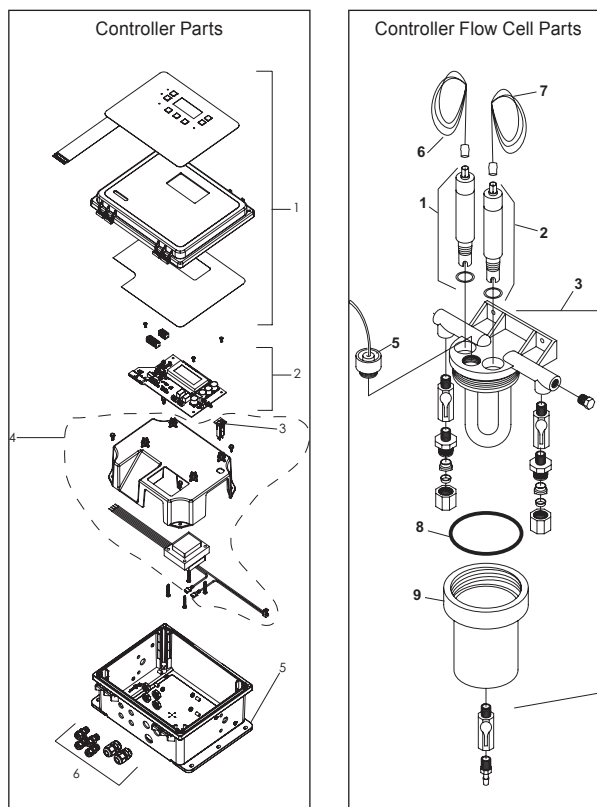


| Item | Part No. | Description |
|------|----------|-------------|
|------|----------|-------------|

| OPTIONAL ACCESSORIES | | |
|----------------------|-----------|---|
| | 523492Z | Stenner 50 GPD External Pump |
| | 523493 | Stenner Pump Tube - 2 Pack |
| | 523494 | Stenner Pump Tube - 5 Pack |
| | 522384 | 20 ft - 1/4 in Black Tubing for Chemical Injection with Labels |
| | 522446 | 100 ft - 1/4 in Black Tubing for Chemical Injection with Labels |
| | 714000070 | CO2 Kit with Diffuser, Solenoid, Regulator |
| | 521622 | IntelliChem Winterizing Kit |
| | 522009 | Injection Kit (Injection Check Valve) |
| | 521511 | Saddle Clamp for 1-1/2-in Pipe (Required Check Valve) |
| | 521512 | Saddle Clamp for 2-in Pipe (Required Check Valve) |

| INTELLICHEM TITLE-22 REPLACEMENT PARTS | | |
|--|---------|--------------------------|
| | 523537Z | Upgrade Kit |
| | 523470Z | Daughter Circuit Board |
| | 523525Z | Controller Circuit Board |

*Pentair recommends replacing peristaltic pump tubes every 6 months



CALIFORNIA PROPOSITION 65 WARNING
 ⚠️ WARNING: Cancer and Reproductive Harm.
 ⚠️ AVERTISSEMENT: Peut Causer le Cancer et des Dommages au Système Reproducteur.
 ⚠️ ADVERTENCIA: Cáncer y Daño Reproductor.
www.p65warnings.ca.gov PH 200714A