

# FLOWSTAR® SKIMMER WITH WATER STOP FACE, FLOAT ASSEMBLY, BASKET, LID AND ADJUSTABLE COLLAR



Built in conformance with NSF 50 and SPS 3 standards

## FEATURES

Designed for commercial and residential use, 15 GPM min, 90 GPM max

Adjustable collar

New weir clip lock secures the clips in the weir door

Self-contained gunite grip, water stop on the faceplate to prevent water leaks

Large self-contained basket with lock-in feature (will not float)

Underwater dampers on the faceplate for noise reduction on weir plate – especially on windy days

Super strong engineered polymer upper housing

Extra heavy duty PVC lower unit (no transitional glue required)

2½" outside slip and 2" inside slip (outside skimmer)

2" threads for pressure testing (inside skimmer)

Built-in overflow or fill line knock out

Upper housing has pre-cut rebar cutouts with pre-drilled holes for tie wire

Skimmer Lid and Collar G154 UV tested

Optional custom name/logo engraved on the lid (requires minimum 500 piece lid order)

1 per case

Two additional lid options available (sold separately):  
square or snap-in round/square



Optional vacuum plate with snap-in lug can be glued in under lid for easy storage p/n SK43101



Optional BFB adapter converts skimmer fittings to 4" or 3" tee for improved hydraulics and code compliance p/n BFB101

Part # SKR1xx

## STANDARD COLORS

- SKR101 – White
- SKR103 – Light Gray
- SKR105 – Dark Gray

Available with 3" extension collar p/n SKR19xxx, 1 per case

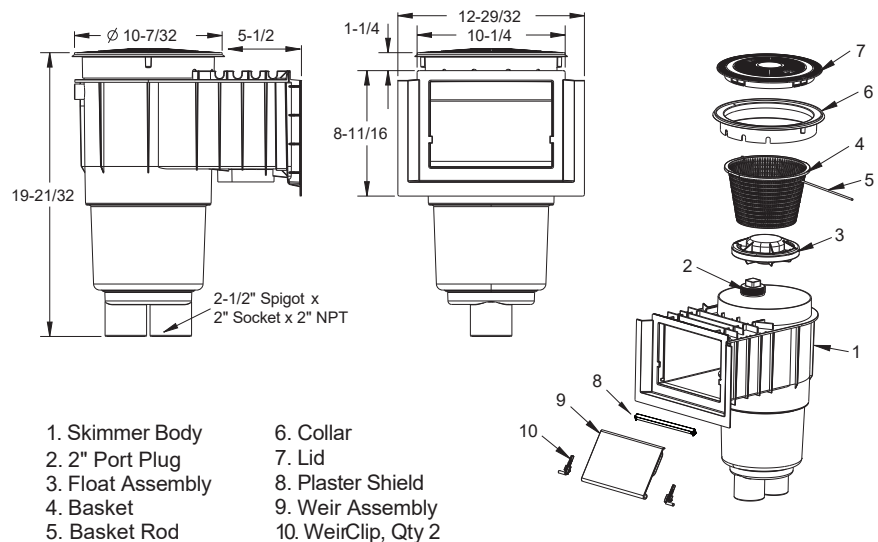
Snap-in Round/Square Lid and Collar (sold separately) p/n SK65xxx, 8 per case

Square Lid and Collar (sold separately) p/n SK64xxx, 6 per case

Available without lid and collar SKR1NL101 (white only), 1 per case

NOTICE: For NSF certified skimmers, please contact your AquaStar Sales Representative. Lid, float valve, 4" socket, and 6" socket options are not NSF certified.

**SPS 3 & NSF 50 Compliant**



# ADDITIONAL PRODUCT CONFIGURATIONS FOR SKR1XX

### 9" Ultra Basket

Designed for commercial and residential use, 15 GPM min, 90 GPM max

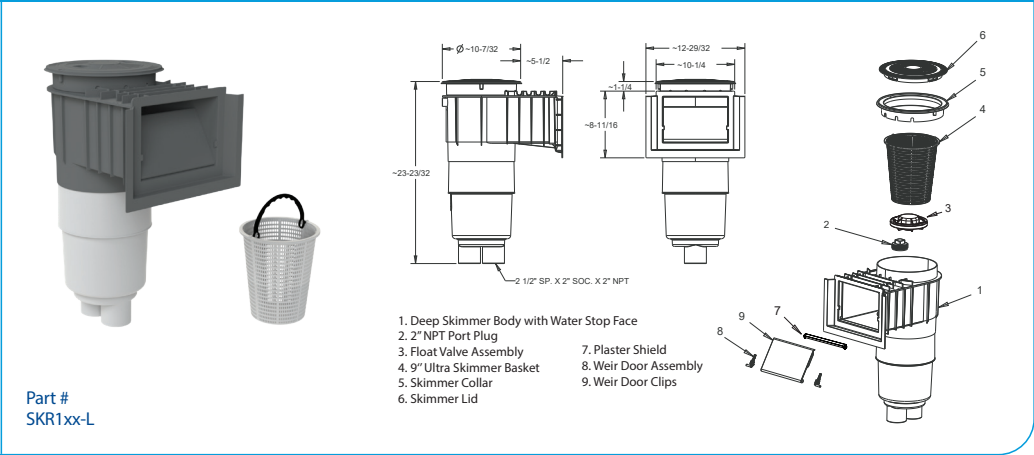
Available 2" Socket Dual-Port, 4" Socket, 6" Socket, and Water Bonded

Example: SKR101D-L= White FlowStar® Water Stop with 4" Socket Sump and 9" Ultra Basket

1 per case

**STANDARD COLORS**

- SKR101-L – White
- SKR103-L – Light Gray
- SKR105-L – Dark Gray



### Water Bonded

Designed for commercial and residential use, 15 GPM min, 90 GPM max

Bonding plate and copper wire connection meet NEC section 680.2 C.

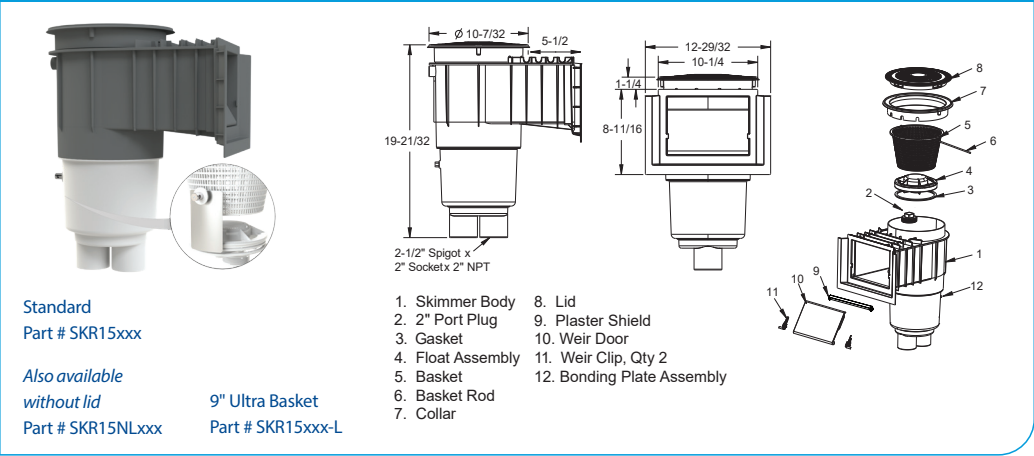
Conforms to UL 1081, UL 1563, CAN/CSA-C22.2

Bonding plate is safely placed behind the skimmer basket, for constant water contact, even when the pump is off

1 per case

**STANDARD COLORS**

- 101
- 103
- 105



# ADDITIONAL PORT CONFIGURATIONS FOR SKR1XX AND SKR1XX-L

### 4" Socket Sump

Extra heavy duty PVC lower unit (no transitional glue required)

Standard  
Part # SKR1xxD

9" Ultra Basket  
Part # SKR1xxD-L

1 per case



### 6" Socket Sump

Extra heavy duty PVC lower unit (no transitional glue required)

Standard  
Part # SKR1xxF

9" Ultra Basket  
Part # SKR1xxF-L

1 per case



## SKIMMER ACCESSORIES

STANDARD COLORS



101



102



103

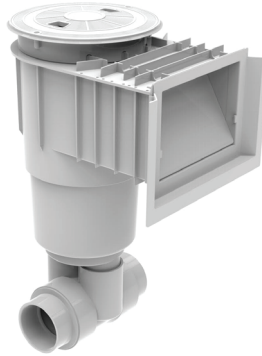


105

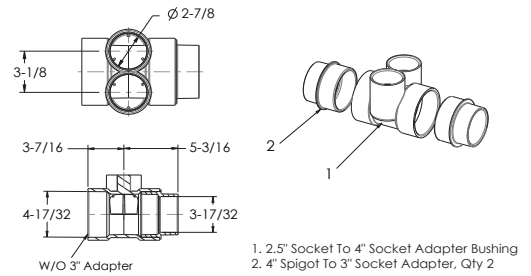
### Adaptor Bushing

#### FEATURES

Eliminates the need to reduce down 4" or 3" plumbing when connecting to a skimmer with a dual-port PVC sump  
 Converts two 2½" spigot to 4" or 3" T  
 Includes two 4" x 3" reducer bushings  
 Shown as an example only – parts are sold separately  
 1 per case



Part # SKR1xx with BFB101



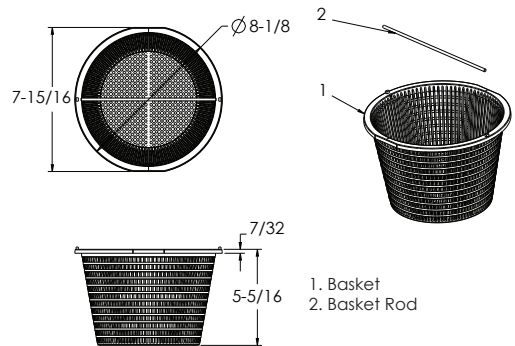
### Skimmer Basket

#### FEATURES

Polypropylene basket locks in to remain in place during on and off pump cycles  
 Fits all standard skimmers  
 50 per case



Part # SK6



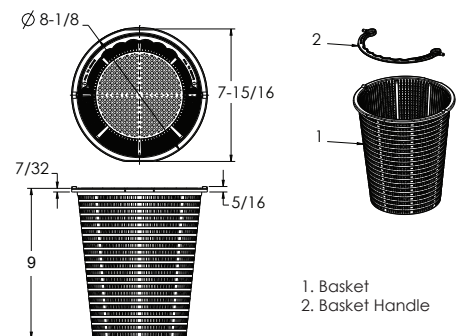
### 9" Ultra Skimmer Basket

#### FEATURES

9" polypropylene Ultra Basket locks in to remain in place during on and off pump cycles  
 Fits all 9" Ultra Basket models  
 50 per case



Part # SK96



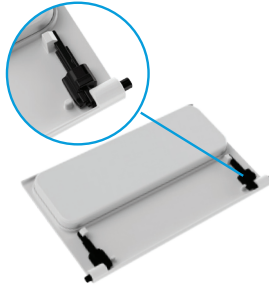
## SKIMMER ACCESSORIES

STANDARD COLORS  101  102  103  105

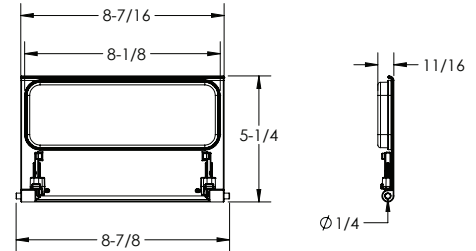
### Weir Plate Assembly for Standard & Vinyl/Fiberglass Skimmers

#### FEATURES

Includes weir clip locks to secure weir clips in place  
Also available only weir clips, part # SK902  
24 per case



Part # SKWDxxx



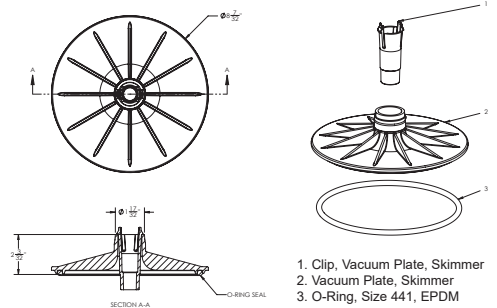
### Vacuum Plate

#### FEATURES

Snaps under skimmer lid for easy storage  
White only  
25 per case



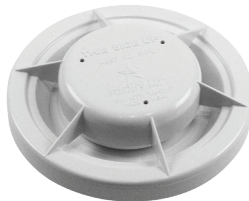
Part # SK43101



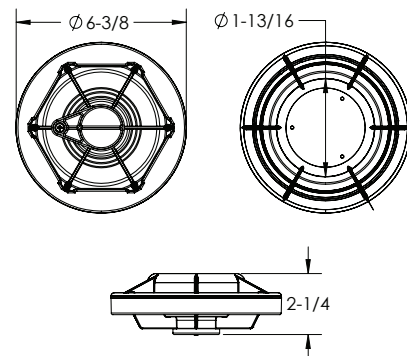
### Float Assembly

#### FEATURES

Includes O-ring gasket and flow adjustment flap  
White only  
24 per case



Part # SKFL101



# SKIMMER ACCESSORIES

STANDARD COLORS  101  102  103  105  108

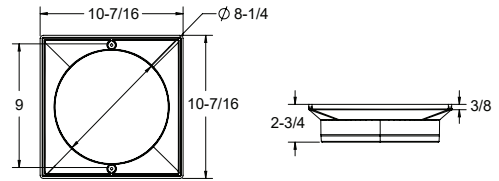
## Square Skimmer Collar

### FEATURES

Adjustable collar levels out uneven surfaces  
 Fits AquaStar and most standard skimmers  
 6 per case



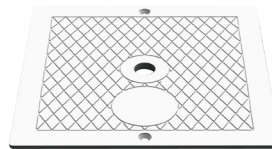
Part # SK61xxx



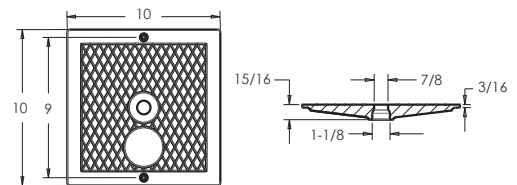
## Square Skimmer Lid

### FEATURES

UV tested to latest standard  
 Optional custom name/logo insert p/n SK63xxxA (minimum 500-piece order)  
 Fits AquaStar and most standard square skimmer collars  
 24 per case



Part # SK63xxx



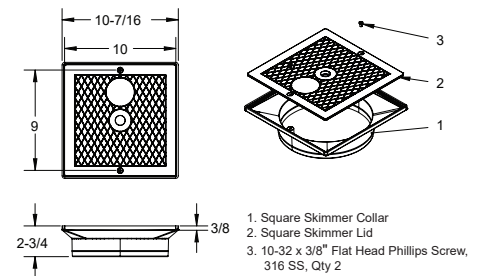
## Square Skimmer Lid and Collar

### FEATURES

UV tested to latest standard features  
 Optional custom name/logo insert p/n SK64xxxA (minimum 500 piece order)  
 Fits AquaStar and most standard skimmers  
 6 per case



Part # SK64xxx



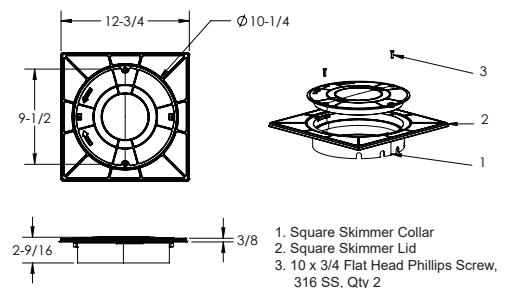
## Round/Square Snap-in Lid and Collar

### FEATURES

Round lid snaps into square housing  
 UV tested to latest standard  
 Optional custom name/logo insert p/n SK65xxxA (minimum 500-piece order)  
 Fits AquaStar and most standard skimmers  
 8 per case



Part # SK65xxx



# SKIMMER ACCESSORIES

STANDARD COLORS



101



102



103



105



108

## Round Skimmer Lid

### FEATURES

UV tested to latest standard

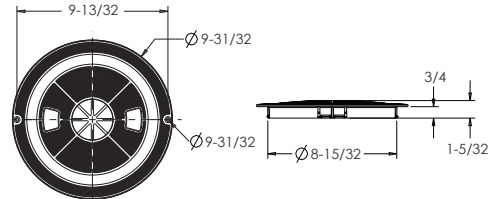
Optional custom name/  
logo insert p/n RTxxxA  
(min 500 piece order)

Fits AquaStar and most standard round  
skimmer collars

25 per case



Part # RTxxx



## Adjustable Round Skimmer Collar

### FEATURES

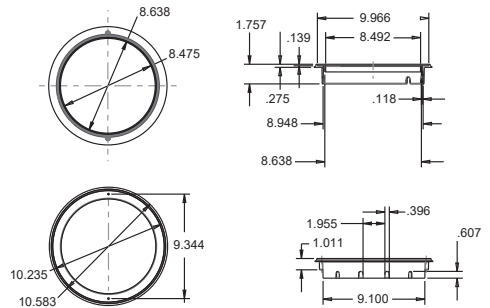
Adjustable collar levels  
out uneven surfaces

Fits AquaStar and most standard  
skimmers

20 per case



Part # SK5xxx



## Round Skimmer Lid and Collar

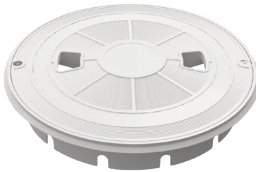
### FEATURES

UV tested to latest standard

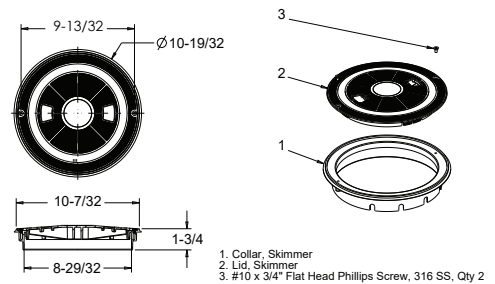
Optional custom name/logo insert p/n  
SKRTxxxA (min 500 piece order)

Fits AquaStar and most standard  
skimmers

25 per case



Part # SKRTxxx



## 3" Skimmer Extension Collar

### FEATURES

Stack multiple collars to reach desired  
deck or bond beam height

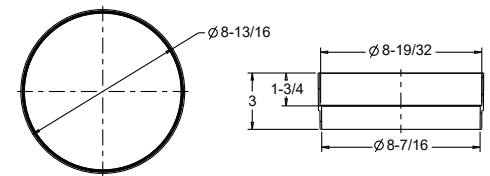
Fits into AquaStar and most standard  
round skimmer collars

Available in white (101) and light gray  
only (103)

20 per case



Part # SECxxx





# FILL-LID STANDARD 10" SKIMMER COVER AND FRAME



Make your skimmer or autofill cover vanish



## FEATURES

- Unique fillable lid allows cover to virtually disappear with every deck finish.
- Adjustable frame levels out uneven surfaces
- Made with super strong engineered polymer tested to the latest GV154 UV standard
- Internal tabs keep finish in place
- 316 stainless steel screws
- Fits AquaStar and most standard skimmers
- 20 per case





**NEW** Fits all AquaStar skimmers and autofills and most standard skimmers



Virtually disappears with every deck finish

Part # FL10xxx

## STANDARD COLORS

-  FL10101 – White
-  FL10103 – Light Gray
-  FL10108 – Tan
-  FL10100 – Clear

